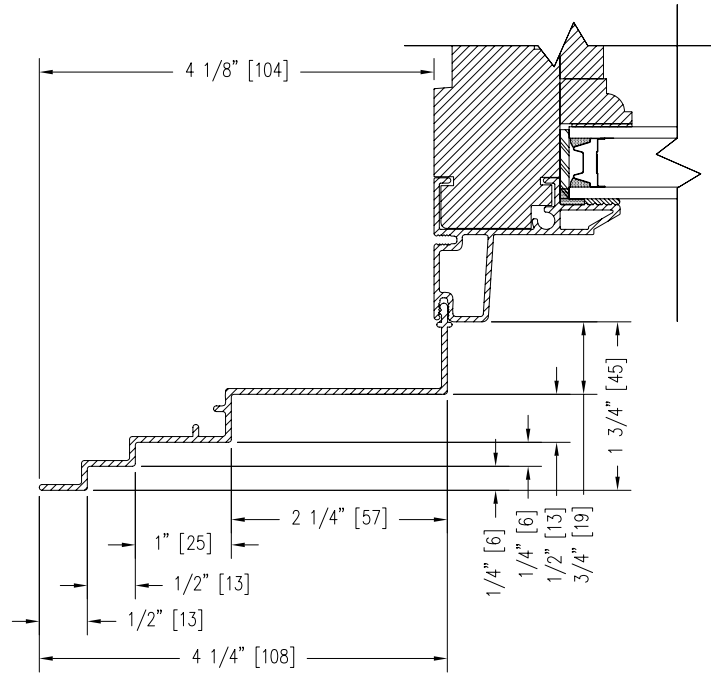
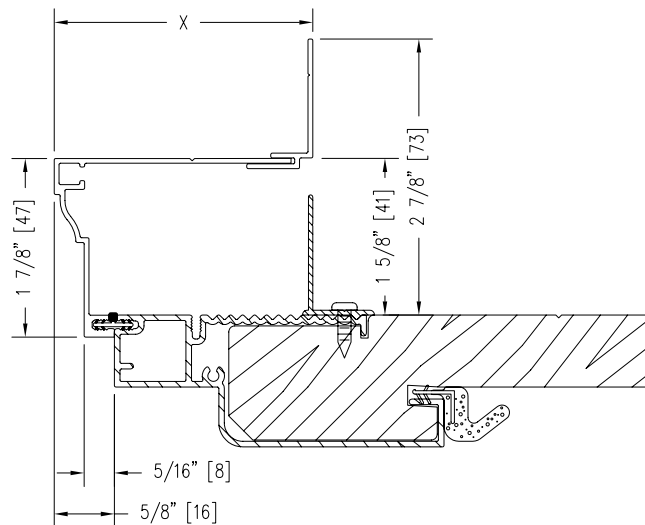


# EXTERIOR CASINGS

## HISTORICAL PANNING



## ADJUSTABLE BRICKMOLD CASING A759 ADJUSTABLE BRICKMOLD CASING RECEIVER A75A



**Notes:**

Dynamically configure section details to your specific needs by going to [EagleWindow.com](http://EagleWindow.com), select Wintelligence. Eagle Window & Door reserves the right to change the specifications without notice.

DRAWING # AD3063  
SCALE: 6"=1'-0"  
REVISION: 2/2/09

