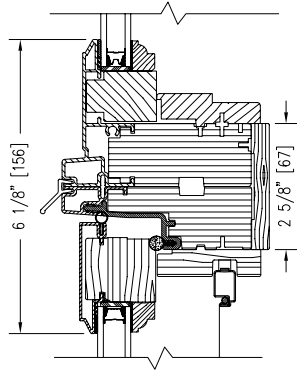
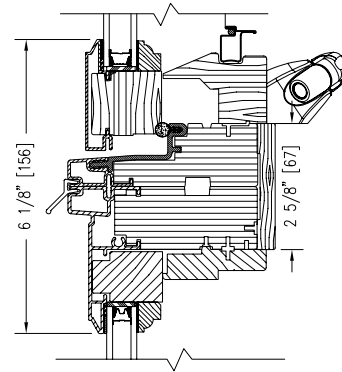


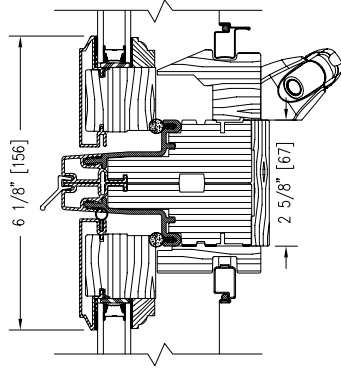
CASEMENT HORIZONTAL COMBINATION FACTORY MULLS



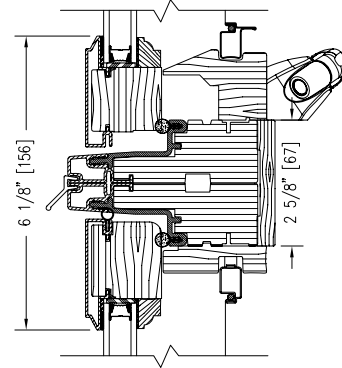
PICTURE OVER CASEMENT



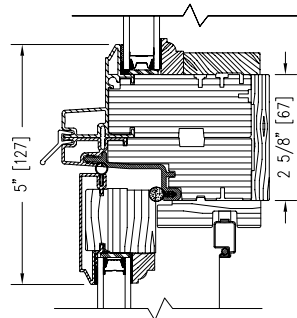
CASEMENT OVER PICTURE



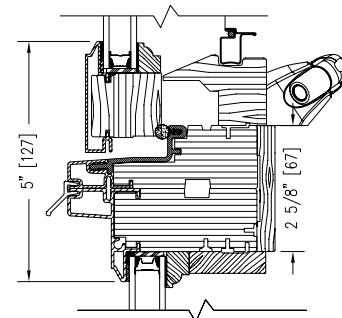
AWNING OVER CASEMENT



CASEMENT OVER AWNING



AUXILIARY OVER CASEMENT



CASEMENT OVER AUXILIARY

Notes:

Dynamically configure section details to your specific needs by going to EagleWindow.com, select Wintelligence. Eagle Window & Door reserves the right to change the specifications without notice.

DRAWING # AD3096
SCALE: 3"-1'-0"
REVISION: 10/3/11

