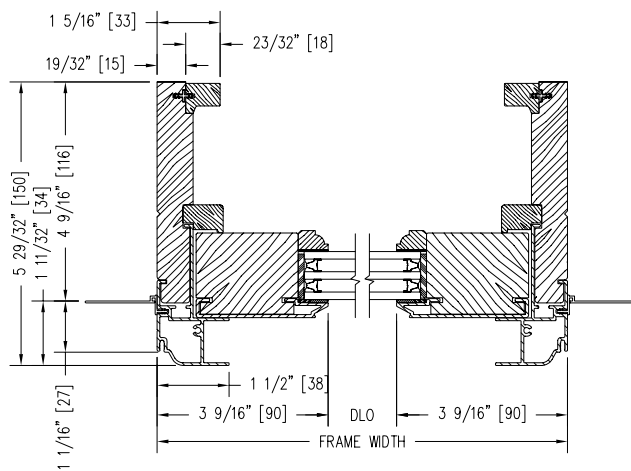
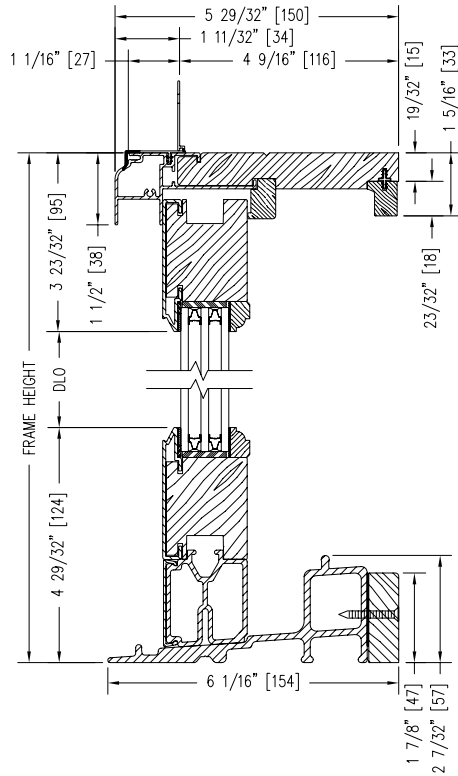


TRIPLE INSULATED GLASS SLIDING PATIO DOOR SIDELITE



Notes:

Dynamically configure section details to your specific needs by going to EagleWindow.com, select Wintelligence. Eagle Window & Door reserves the right to change the specifications without notice.

DRAWING # AD3193
SCALE: 3'-1-0"
REVISION: 4/14/09

