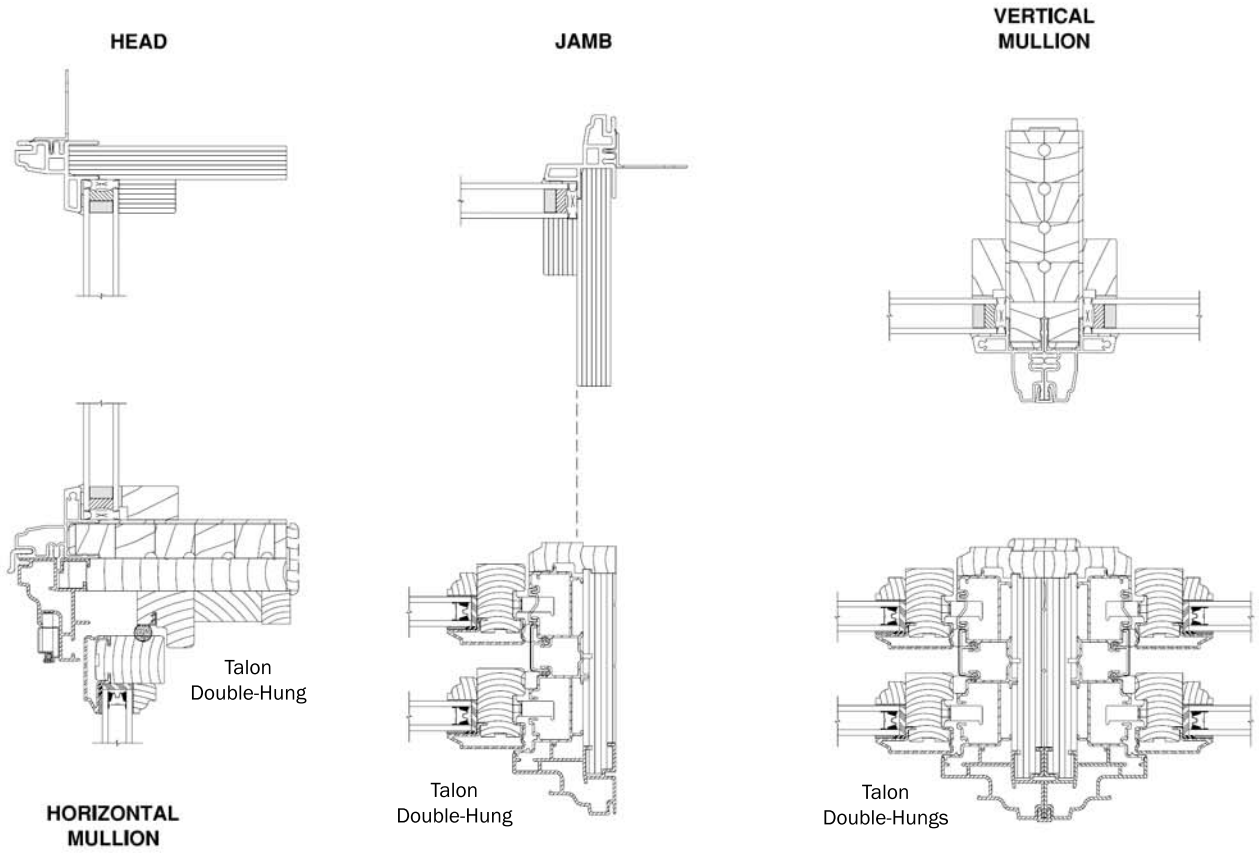


**NOTES**

Drawings are not to scale.

Mulling Details



**NOTES**

Drawings are not to scale.