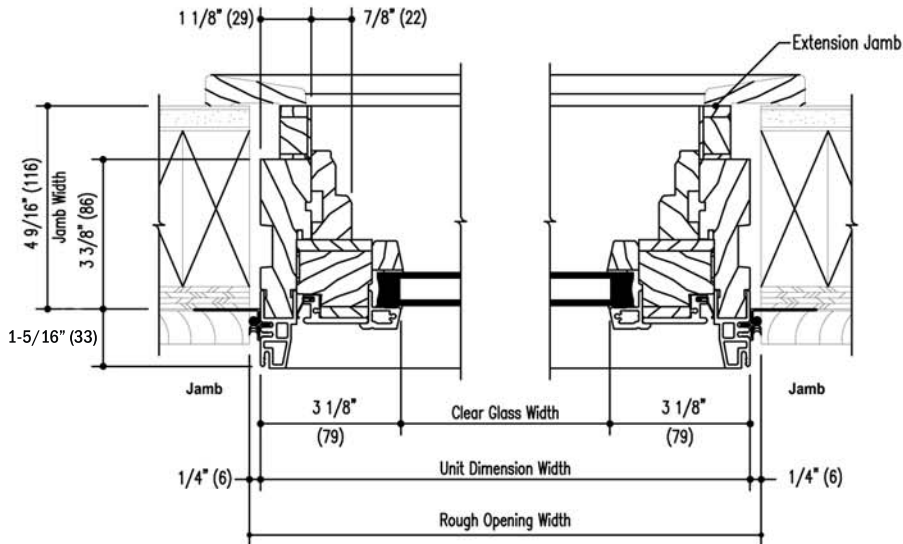
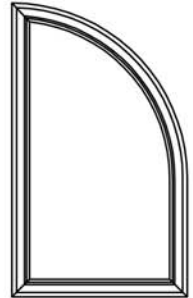
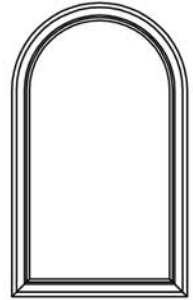


Vertical Section



Horizontal Section



NOTES

Dimensions in parentheses are millimeters.
Drawings are not to scale.