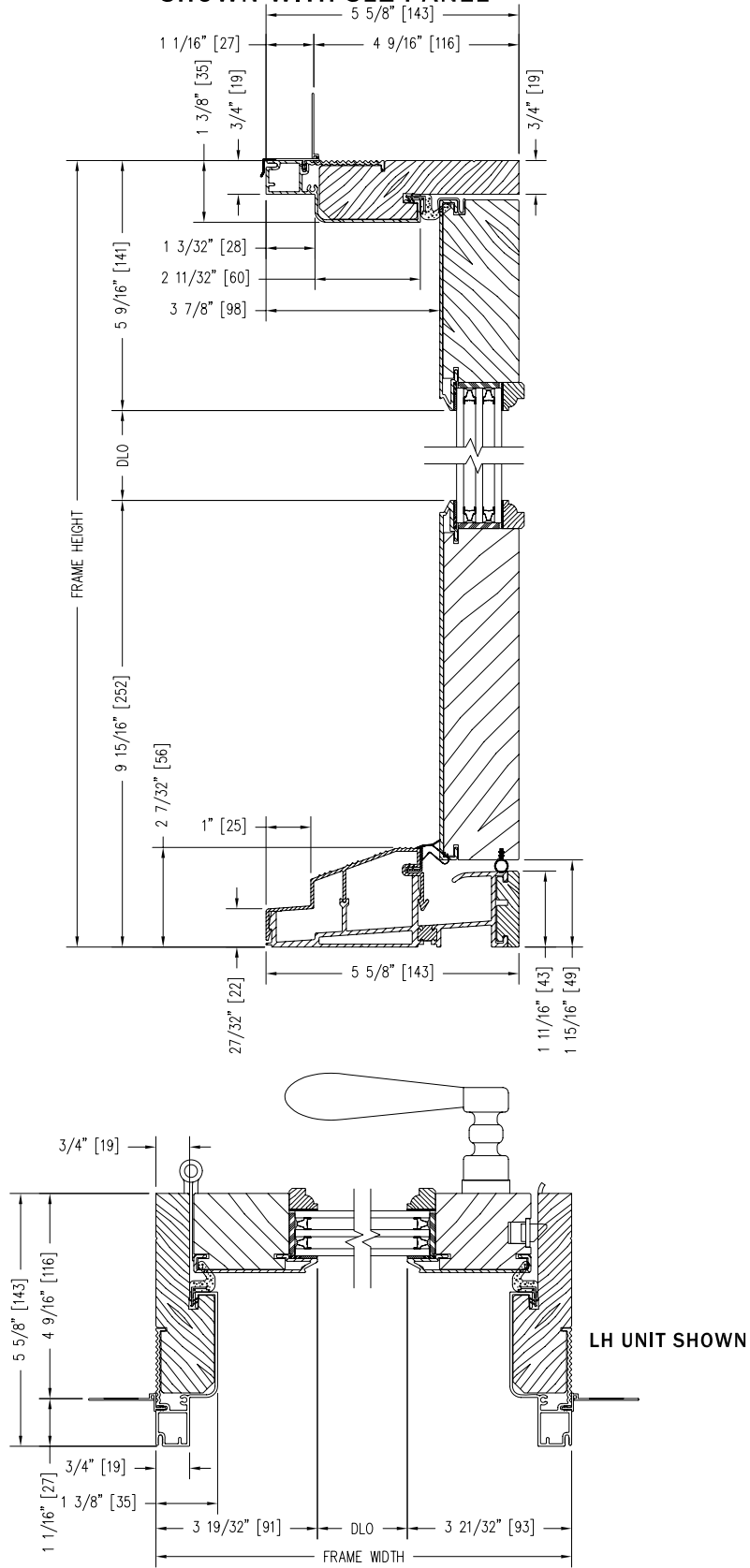


**TRIPLE INSULATED GLASS
INSWING VENTING SIDELITE (4 9/16")
SHOWN WITH SL1 PANEL**



Notes:

Dynamically configure section details to your specific needs by going to EagleWindow.com, select Wintelligence.
Eagle Window & Door reserves the right to change the specifications without notice.

DRAWING # AD3173
SCALE: 3"-1'-0"
REVISION: 4/14/09

