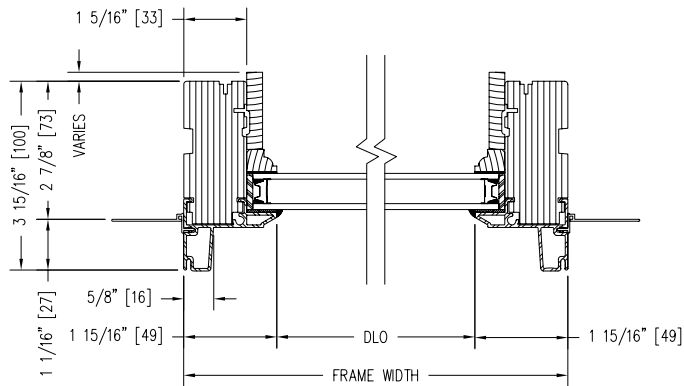
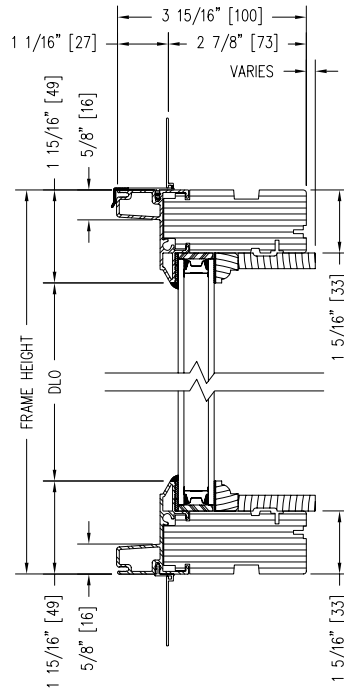


AUXILIARY



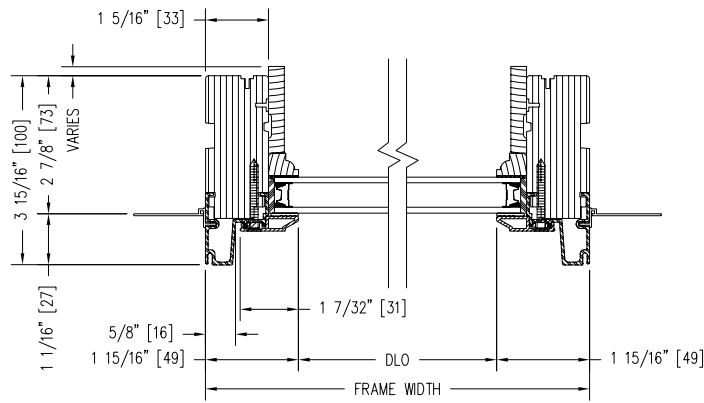
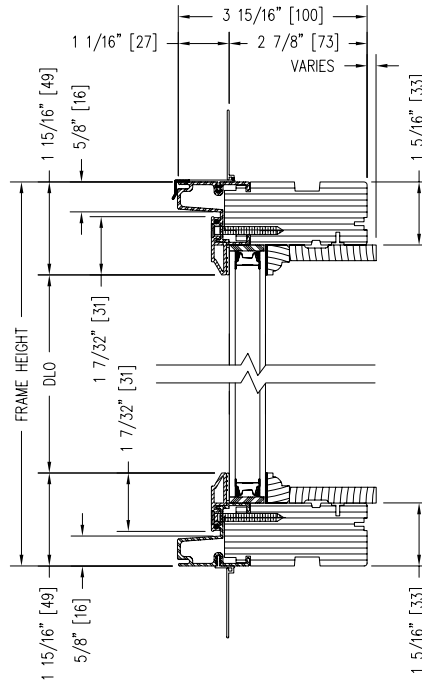
Notes:

Dynamically configure section details to your specific needs by going to EagleWindow.com, select Wintelligence. Eagle Window & Door reserves the right to change the specifications without notice.

DRAWING # AD3005
 SCALE: 3"-1'-0"
 REVISION: 2/2/09



EXTERIOR GLAZED AUXILIARY



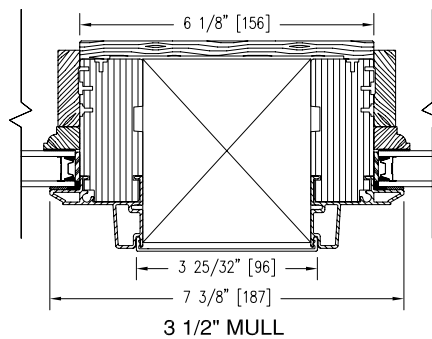
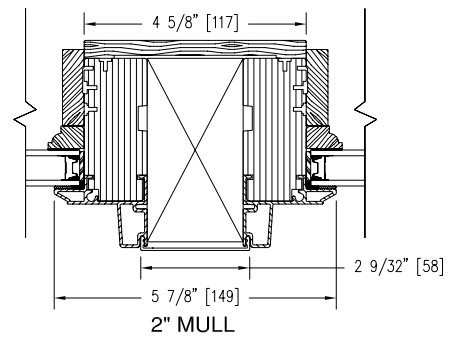
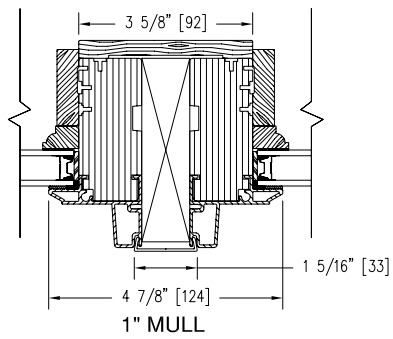
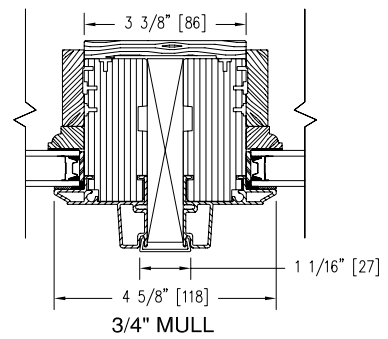
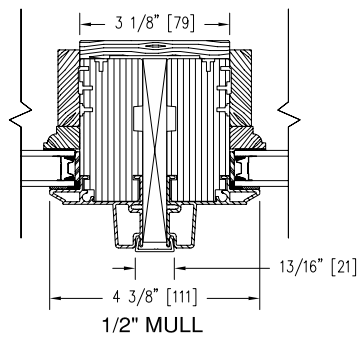
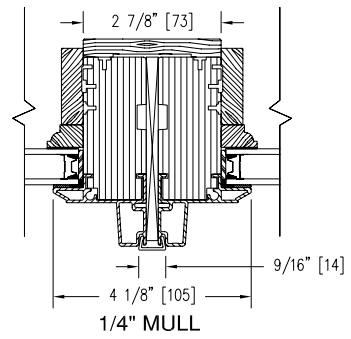
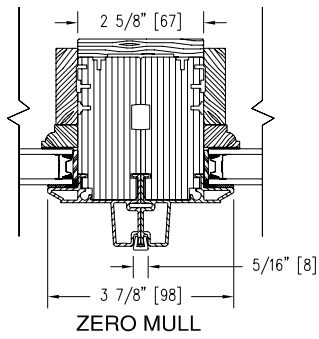
Notes:

Dynamically configure section details to your specific needs by going to EagleWindow.com, select Wintelligence. Eagle Window & Door reserves the right to change the specifications without notice.

DRAWING # AD3007
 SCALE: 3"-1'-0"
 REVISION: 2/2/09



AUXILIARY VERTICAL FACTORY MULLS



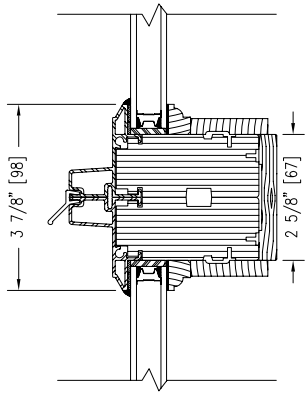
Notes:

Dynamically configure section details to your specific needs by going to EagleWindow.com, select Wintelligence. Eagle Window & Door reserves the right to change the specifications without notice.

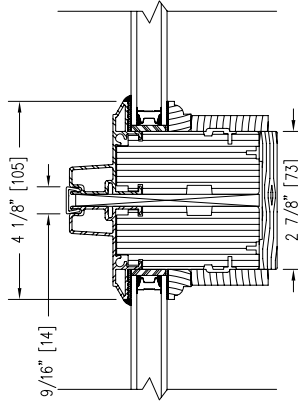
DRAWING # AD3106
SCALE: 3"-1'-0"
REVISION: 2/2/09



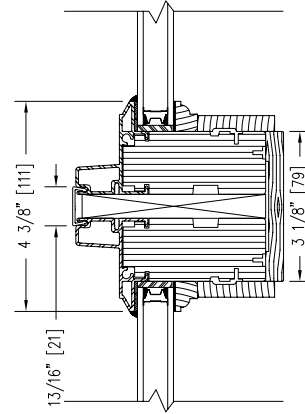
AUXILIARY HORIZONTAL FACTORY MULLS



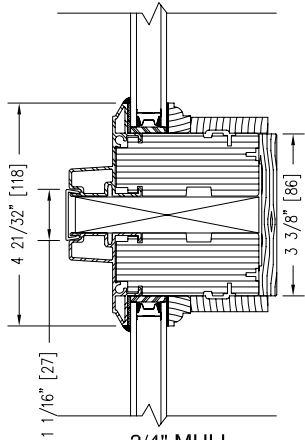
DRIP MULL



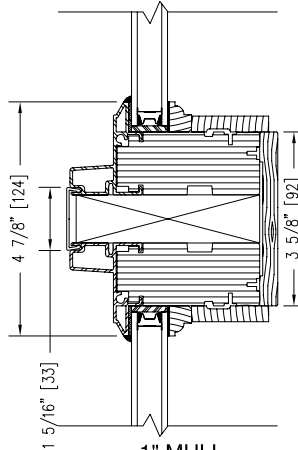
1/4" MULL



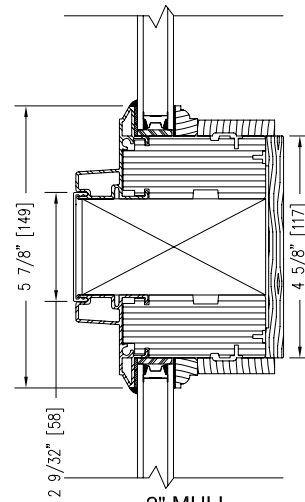
1/2" MULL



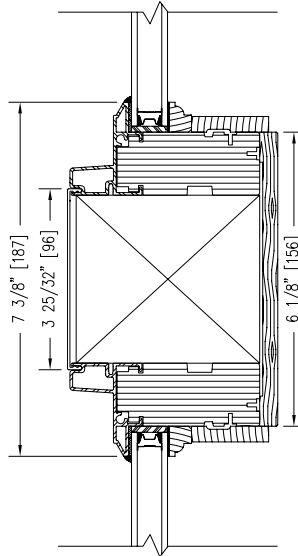
3/4" MULL



1" MULL



2" MULL



3 1/2" MULL

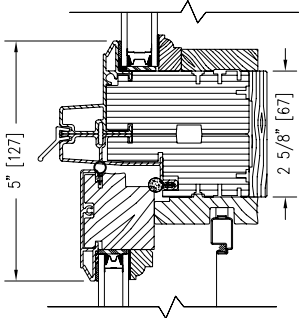
Notes:

Dynamically configure section details to your specific needs by going to EagleWindow.com, select Wintelligence. Eagle Window & Door reserves the right to change the specifications without notice.

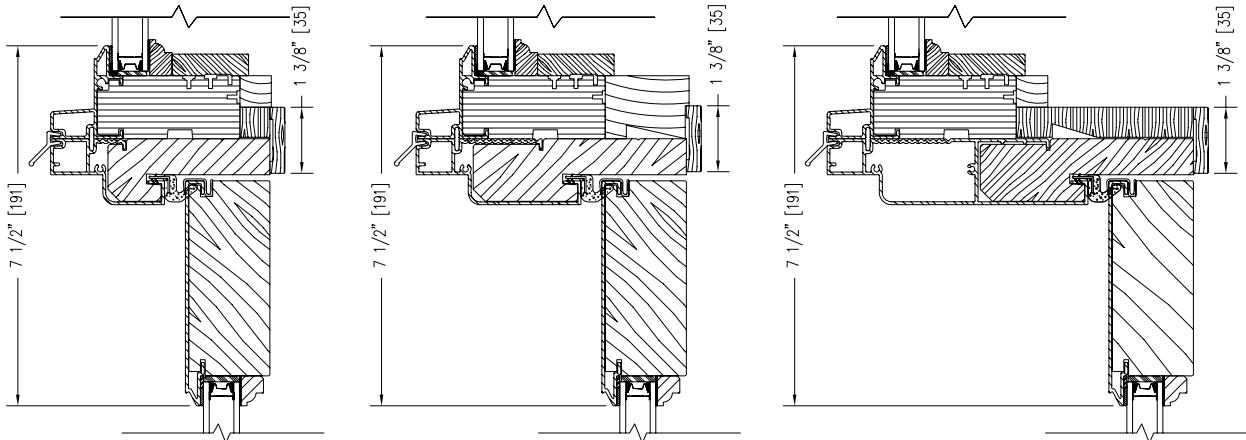
DRAWING # AD3107
 SCALE: 3"=1'-0"
 REVISION: 2/2/09



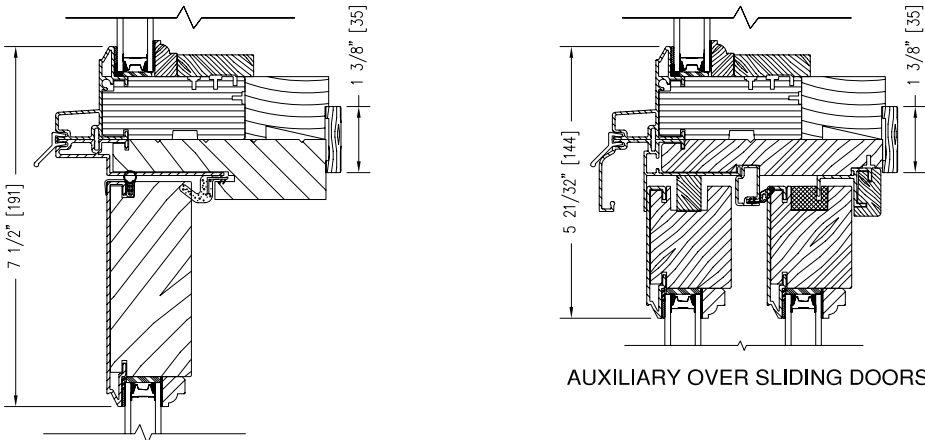
AUXILIARY HORIZONTAL COMBINATION FACTORY MULLS



AUXILIARY OVER CASEMENT



AUXILIARY OVER INSWING DOORS



AUXILIARY OVER OUTSWING DOORS

AUXILIARY OVER SLIDING DOORS

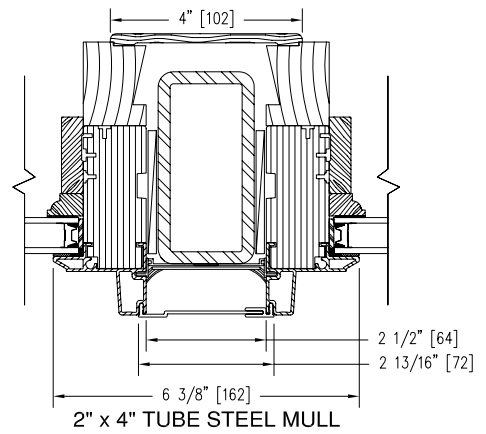
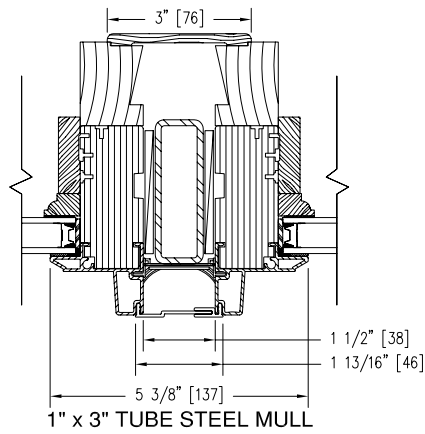
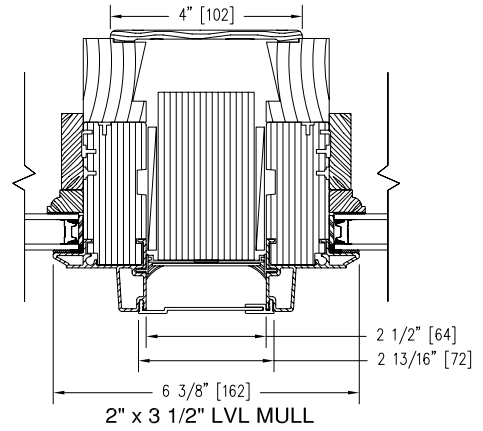
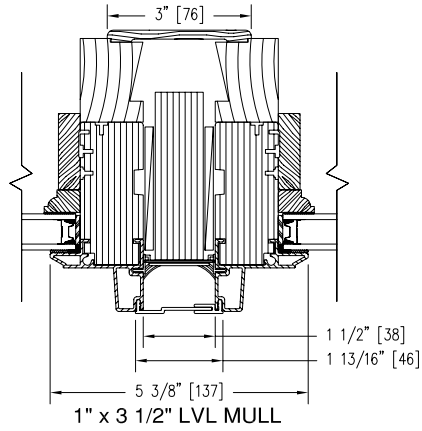
Notes:

Dynamically configure section details to your specific needs by going to EagleWindow.com, select Wintelligence. Eagle Window & Door reserves the right to change the specifications without notice.

DRAWING # AD3108
SCALE: 3"-1'-0"
REVISION: 2/2/09



AUXILIARY REINFORCED VERTICAL FIELD MULLS



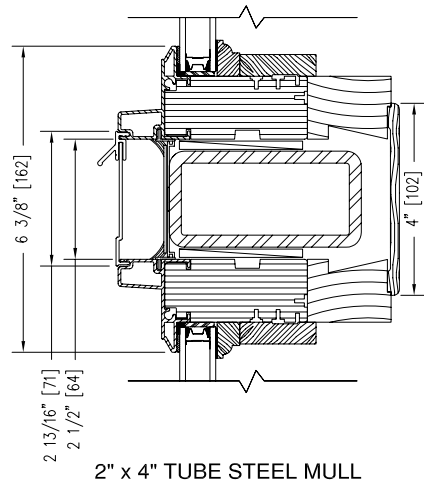
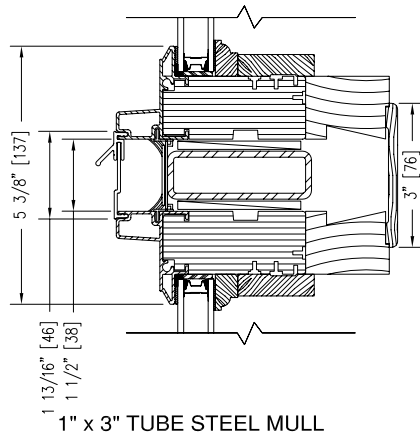
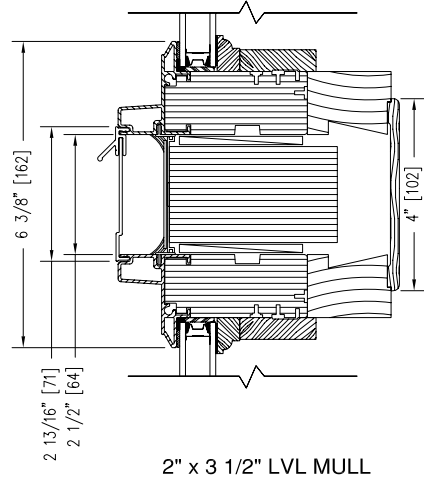
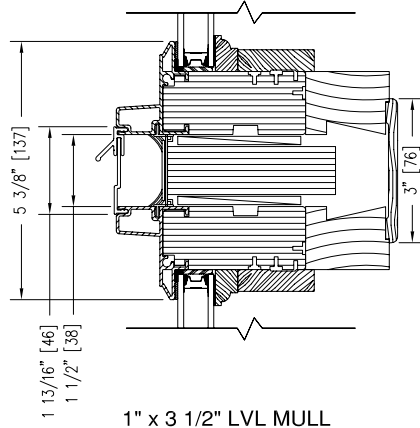
Notes:

Dynamically configure section details to your specific needs by going to EagleWindow.com, select Wintelligence. Eagle Window & Door reserves the right to change the specifications without notice.

DRAWING # AD3109
SCALE: 3"-1'-0"
REVISION: 2/2/09



AUXILIARY HORIZONTAL REINFORCED FIELD MULLS



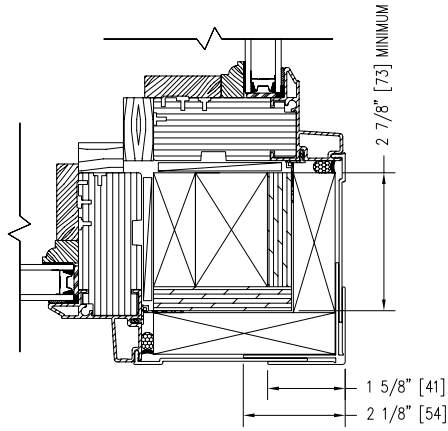
Notes:

Dynamically configure section details to your specific needs by going to EagleWindow.com, select Wintelligence. Eagle Window & Door reserves the right to change the specifications without notice.

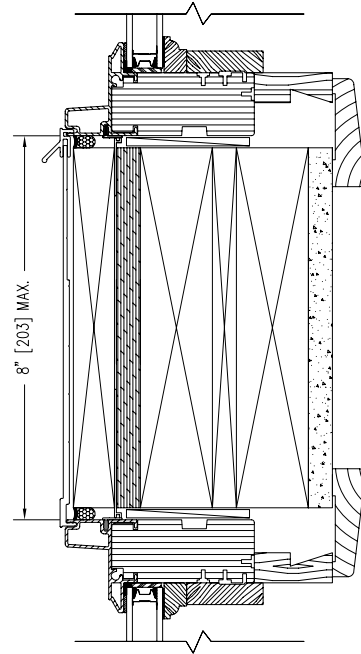
DRAWING # AD3110
SCALE: 3"-1'-0"
REVISION: 2/2/09



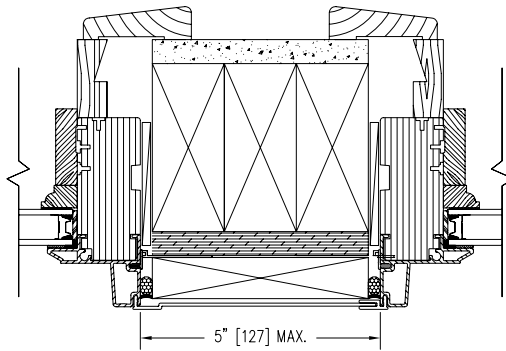
AUXILIARY FIELD SPREAD MULLS



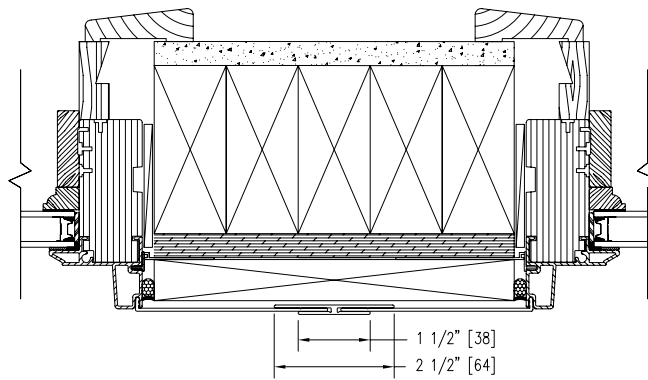
CORNER MULL



TWO PIECE MULL COVER



TWO PIECE MULL COVER



THREE PIECE MULL COVER

Notes:

Dynamically configure section details to your specific needs by going to EagleWindow.com, select Wintelligence. Eagle Window & Door reserves the right to change the specifications without notice.

DRAWING # AD3111
SCALE: 3"-1'-0"
REVISION: 2/2/09

