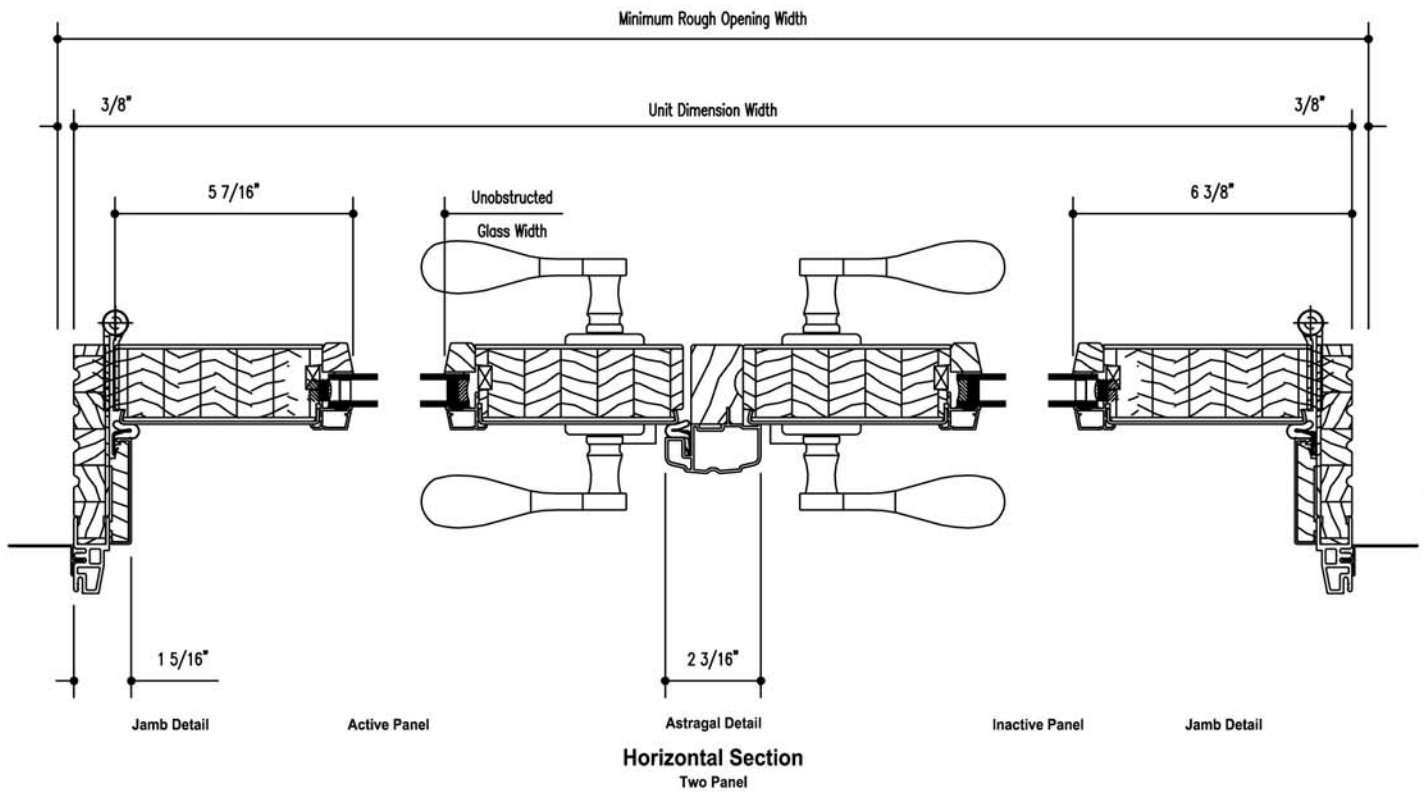
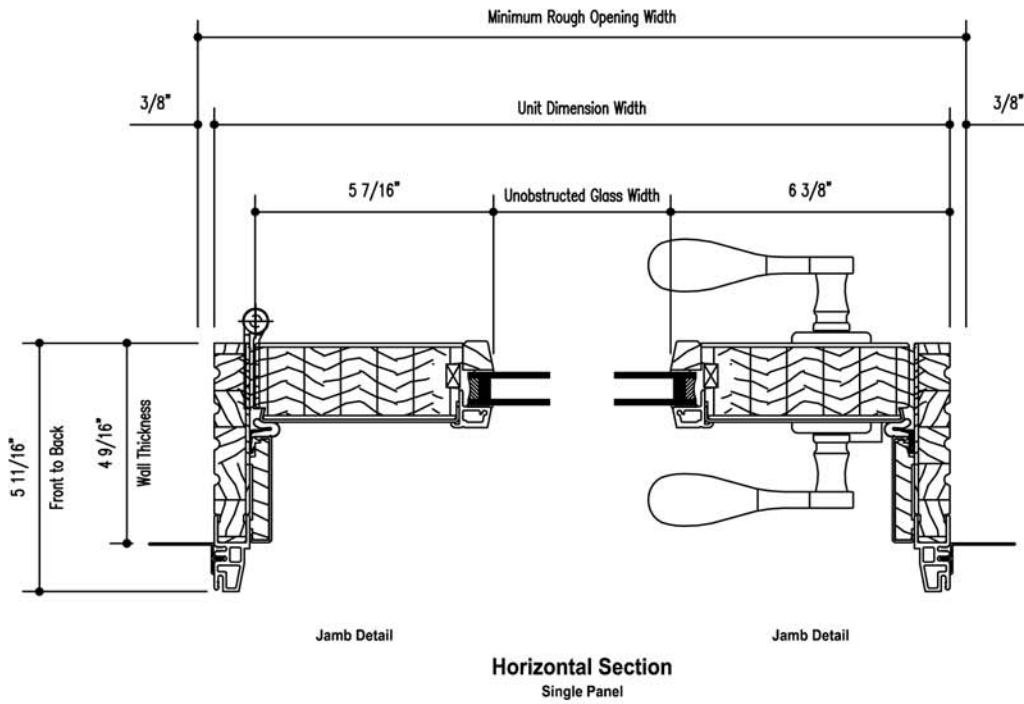


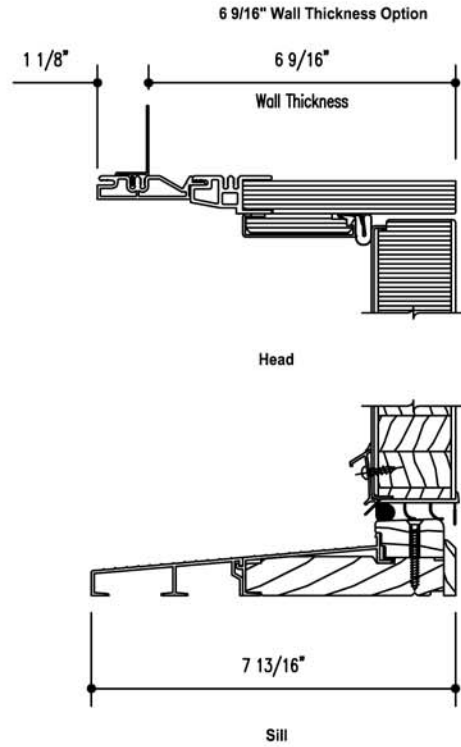
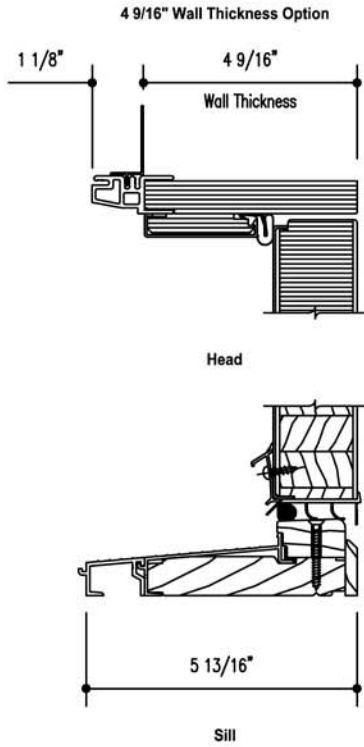
NOTES

Drawings are not to scale.



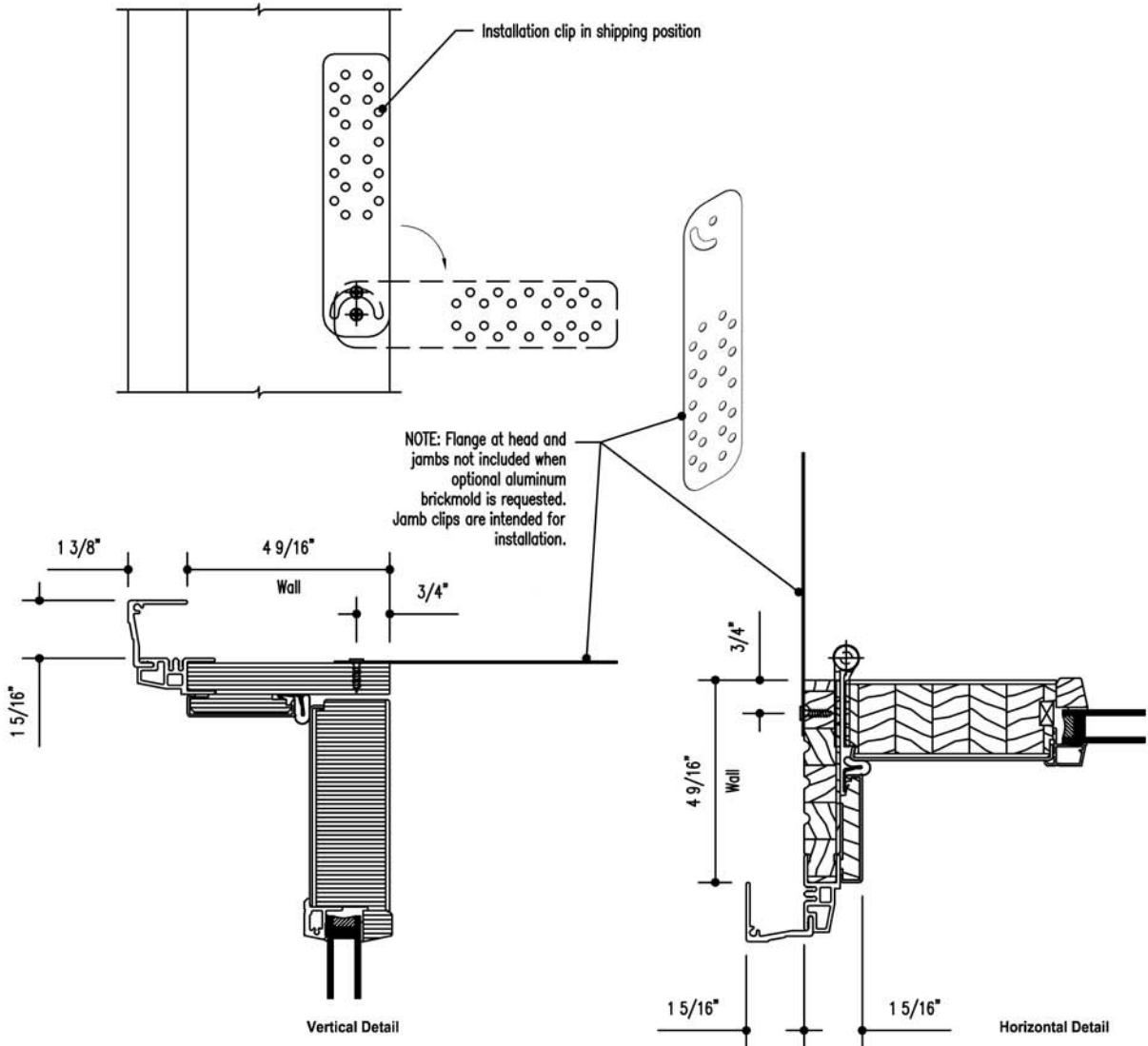
NOTES

Drawings are not to scale.



NOTES

Drawings are not to scale.



NOTES

Drawings are not to scale.