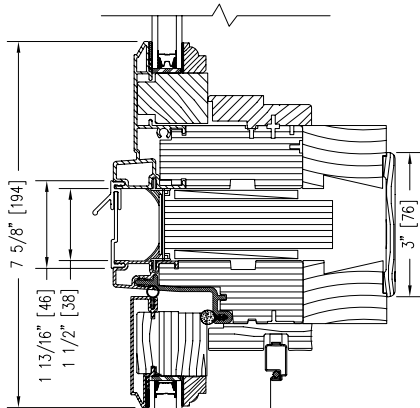
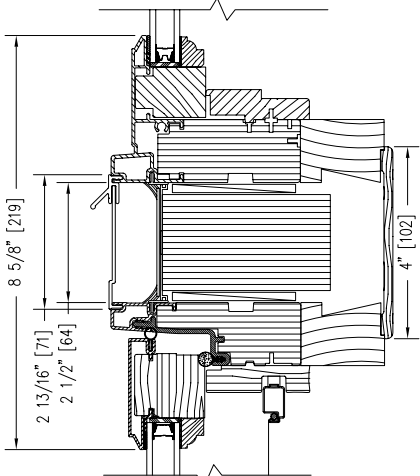


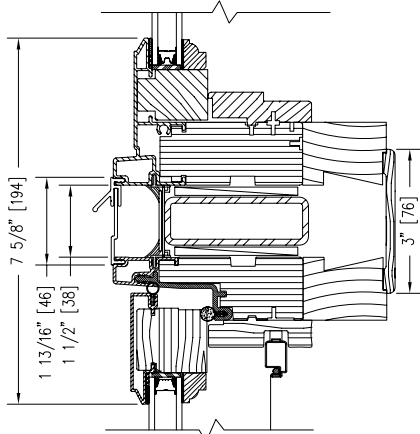
# CASEMENT HORIZONTAL REINFORCED FIELD MULLS



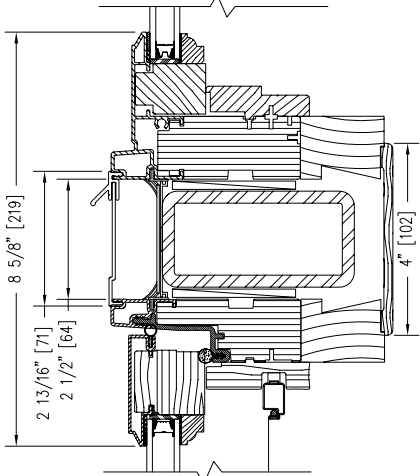
1" x 3 1/2" LVL MULL



2" x 3 1/2" LVL MULL



1" x 3" TUBE STEEL MULL



2" x 4" TUBE STEEL MULL

**Notes:**

Dynamically configure section details to your specific needs by going to [EagleWindow.com](http://EagleWindow.com), select Wintelligence. Eagle Window & Door reserves the right to change the specifications without notice.

DRAWING # AD3098  
 SCALE: 3"-1'-0"  
 REVISION: 10/3/11

