

# Eagle® Double-Hung Picture Replacement Sash Kit Measuring Guidelines

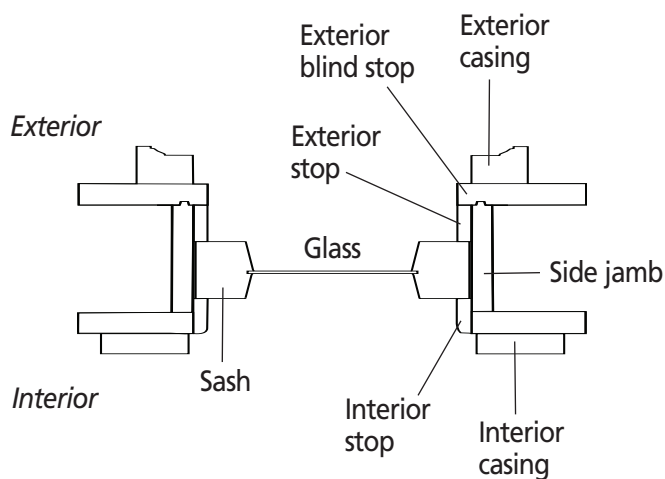
To assist you with measuring for Eagle® double-hung picture replacement sash products, we've included typical section details of double-hung products comparable to what may be in your home.

Please read these guidelines completely before starting. For questions about this and other Eagle products, see your nearest Eagle Window & Door dealer or visit us online at [EagleWindow.com](http://EagleWindow.com).

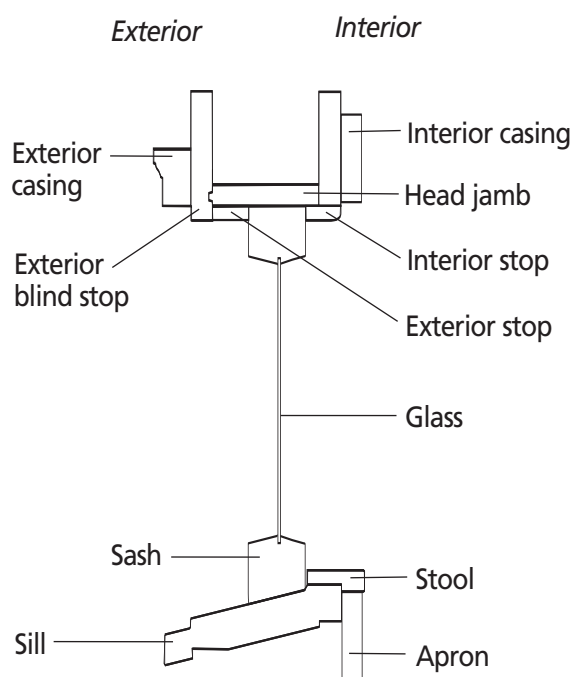
Consult your local building code official for applicable building codes and regulations. Thank you for choosing Eagle products.

## TYPICAL DOUBLE-HUNG PICTURE WINDOWS

Horizontal Section - Side Jamb Detail



Vertical Section - Head and Sill Detail



## TOOLS REQUIRED

Tape measure

Angle finder

Thin steel ruler

## INSPECT THE OLD WINDOW

Carefully inspect the existing window openings prior to ordering your Double-Hung Picture Replacement Sash Kit.

If any rotten wood on the frame and stops of the original window cannot be repaired or replaced, the opening will not be suitable for a Replacement Sash Kit.

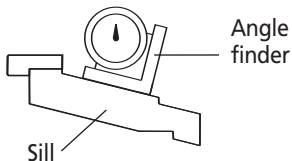
## MEASURING THE OPENING

Measure each window, even if they appear to be the same size. Use extreme accuracy when taking measurements.

### STEP 1

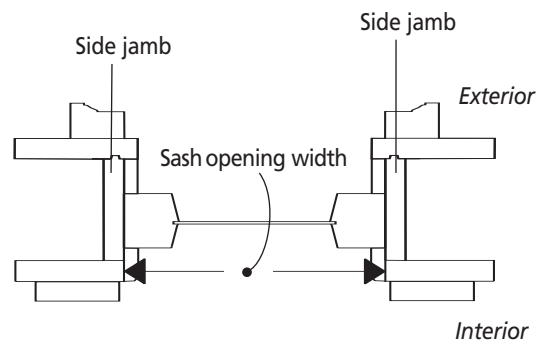
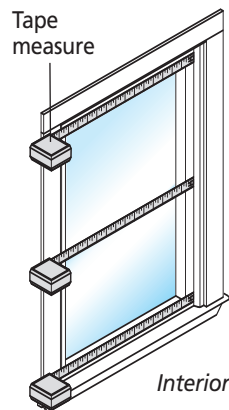
**SILL ANGLE.** Eagle Double-Hung Picture Replacement Sash Kits are built to fit your specific window frame. The sill angle must be specified to provide you with the proper sill dam.

The easiest way to measure the sill angle is to use an angle finder available at most hardware stores. Set angle finder on sill and record the angle on the worksheet provided on page 4.

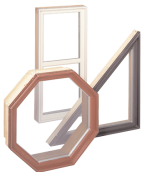


### STEP 2

**SASH OPENING WIDTH.** For sash opening width, take an inside measurement of the frame from the side jamb to the side jamb. Measure in three locations: top, middle and bottom. Use the smallest measurement of the three and round down to nearest 1/8". Record this measurement on the worksheet provided.



Measure from wood side jamb to wood side jamb.

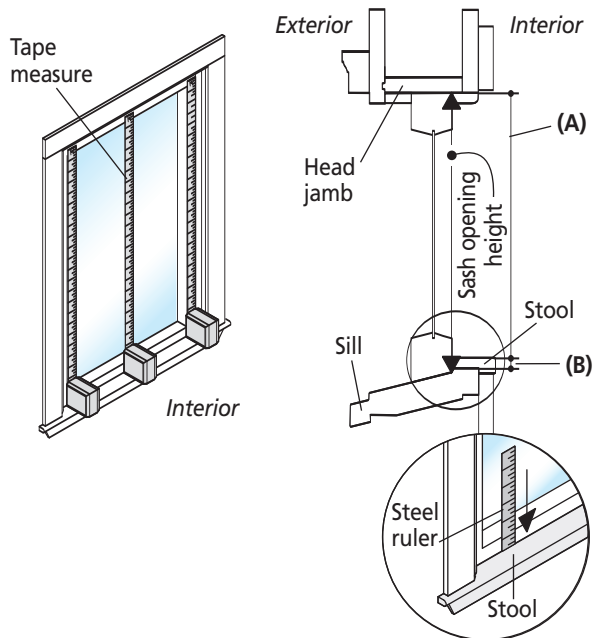


**STEP 3**

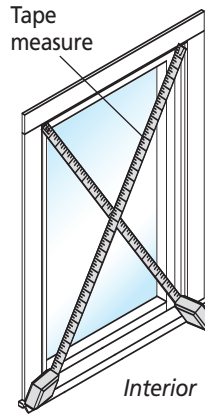
**SASH OPENING HEIGHT.** Carefully measure the inside height of the sash opening from the head jamb to where the inside face of the sash bottom rail meets the sill. Measure from wood head jamb to top of stool (A). Slide thin steel ruler behind stool (cut paint if needed) to measure stool height (B).

Height = A + B

Measure in three locations: left, right and center. Use the smallest measurement of the three and round down to the nearest 1/8". Record this measurement on the worksheet provided.



**STEP 4**



**CHECK TO SEE IF FRAME IS SQUARE.** In many cases you will find that one side of the window or the other has settled, pulling the unit out of square. This will affect any replacement sash placed in that opening. If the measurements vary, you may need to adjust the sash opening height measured in Step 3.

A). Measure from the inside corner of the sill and side jamb on the right side of the unit, up to the inside corner of the side jamb and head jamb on the left side. Repeat this step from the opposite corners.

B). If the measurements taken are within 1/8", then the unit is square. If the measurements are greater than 1/8", then adjust as needed.

