



# Eagle clad radius casement window installation instructions

These instructions are for typical installation in new typical **wood frame wall construction**. These instructions and methods are not intended for use in other construction types or for replacement installations. These instructions and methods may not be appropriate for a specific installation due to design of the building, construction methods used, building conditions or site conditions, any of which may require different methods or procedures. You and your architect or installing contractor are responsible for determining the method and procedures appropriate to your specific installation.

*These instructions are for radius casement windows only. Installation instructions for other types of windows are available at <http://www.EagleWindow.com>*

## STEP 1

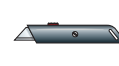
Be sure you have all tools required:



Tape measure



Square



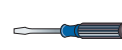
Utility knife or scissors



Level



Hammer



Flat-blade screwdriver



Drill and 9/16" bit



Stapler

## STEP 2

Be sure you have a sufficient supply of all materials required:

Take care to anticipate all material needs before beginning work. Additional materials may be needed in any particular installation.

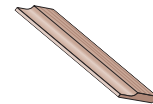


Shims or spacers made of cedar or other impervious material

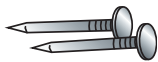


Moistop, 6" E-Z Seal® Flashing

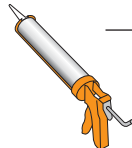
For more information, visit: [www.fortifiber.com](http://www.fortifiber.com)



Interior trim and/or jamb extensions (15' to 40' per window)



2" galvanized roofing nails (1/4 pound per window)



High quality exterior grade silicone sealant



5/8" #6 Flathead slotted screws (5 to 15 per window)



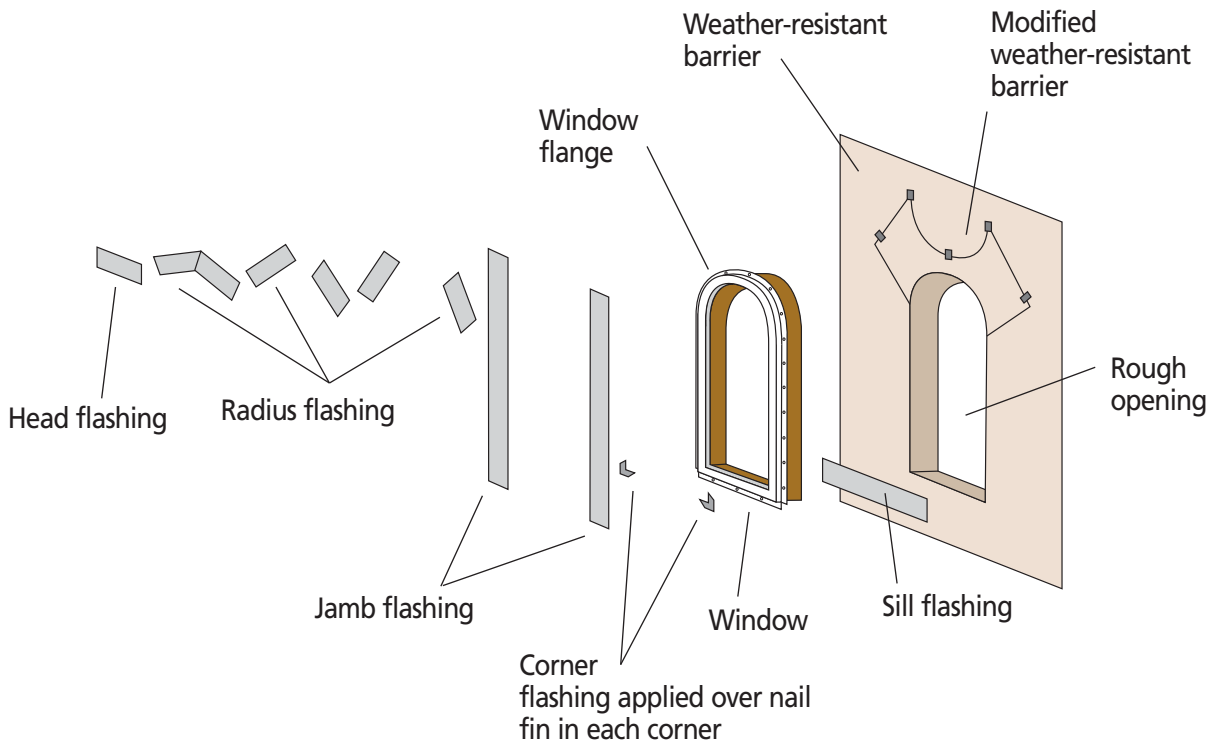
Closed-cell foam backer rod or sealant backer (12' to 30' per window)



Great Stuff Pro™ Window & Door Insulating Foam Sealant

For more information, visit: [www.dow.com](http://www.dow.com)

Window installation diagram:

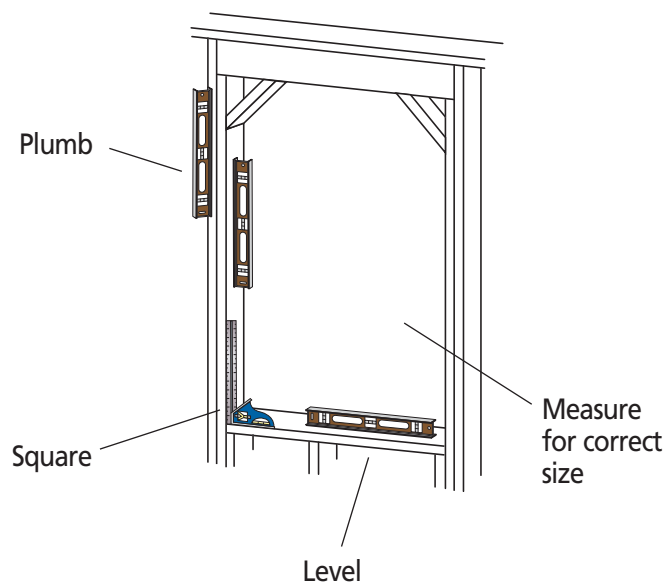


NOTE: See Steps 16, 17 and 18 for proper method of integrating head flashing and weather-resistant barrier.

STEP 3

Prepare rough opening.

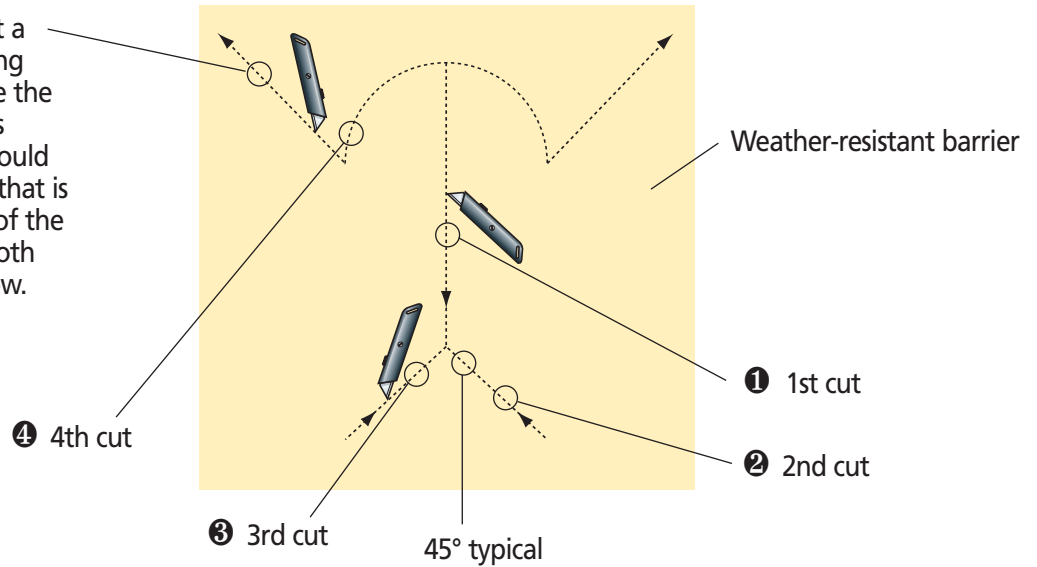
Verify that the rough opening is plumb, level, square and sized appropriately.



## STEP 4

### Cut weather-resistant barrier.

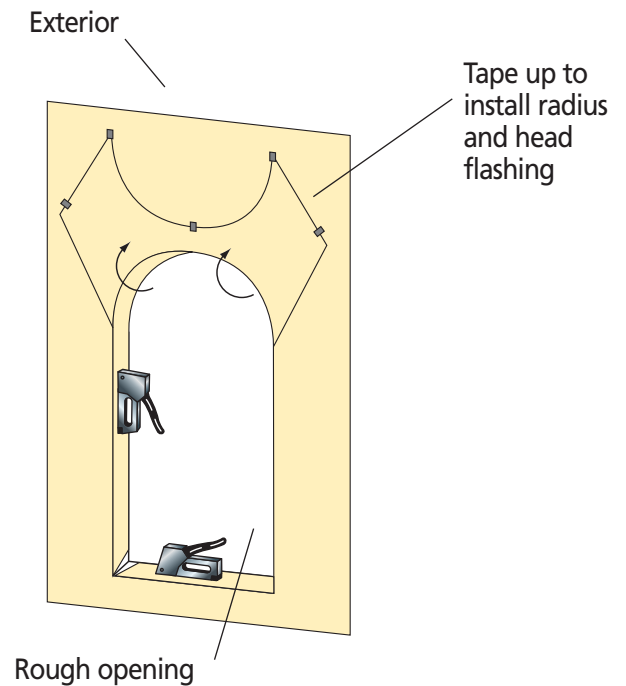
- ⑤ 5th cut – Cut up at a 45°-angle beginning at the point where the curve of the radius begins. This cut should extend to a point that is 6" above the top of the window. Cut on both sides of the window.



## STEP 5

### Secure weather-resistant barrier.

Fold sides and bottom flaps of the weather-resistant barrier into the opening and staple to inside wall. Fold top flaps up and temporarily fasten with tape as shown.



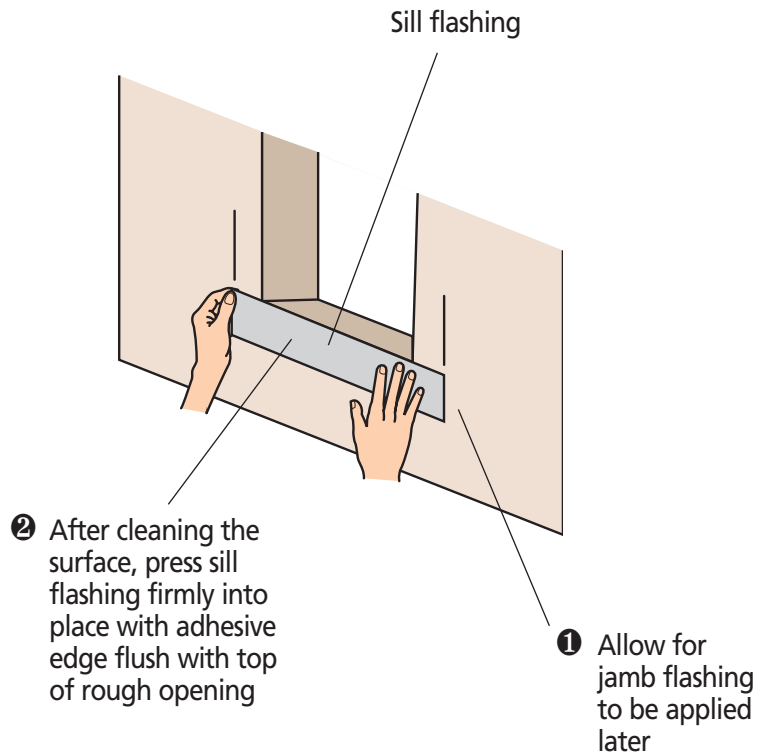
## STEP 6

### Cut and install sill flashing.

Cut the sill flashing long enough to extend beyond the jamb flashing pieces to be applied later. Wipe the surface of the weather-resistant barrier with a clean rag to ensure proper adhesion. Remove the release paper and press the sill flashing in place so that the edge of the flashing's adhesive is level with the top edge of the rough opening.

How to determine correct length of sill flashing:

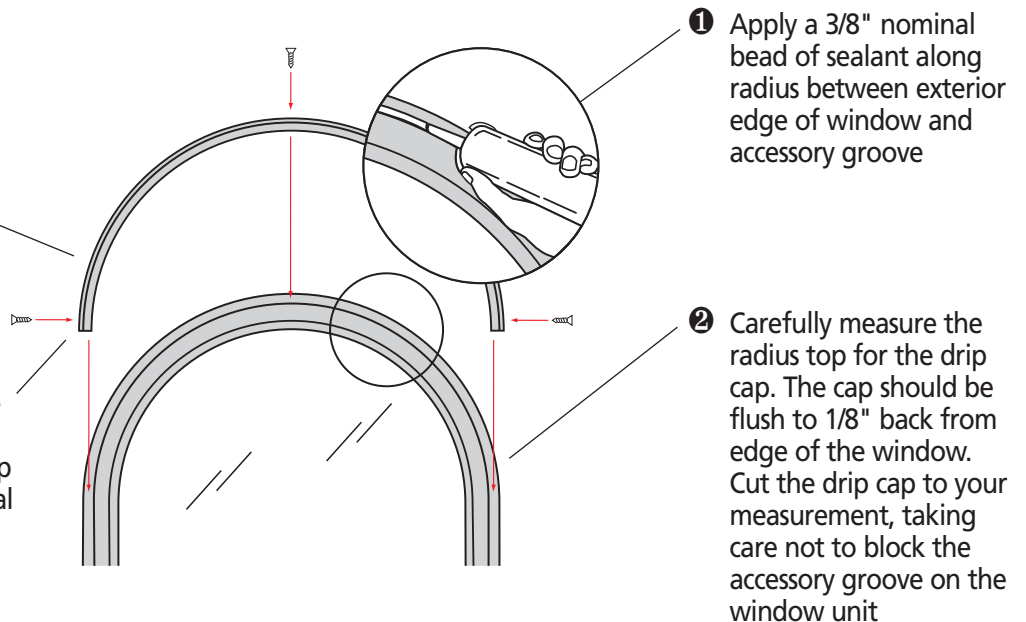
Rough opening width + 6" overlap for each side. Using 6" flashing, this should equal rough opening width + 12".



## STEP 7

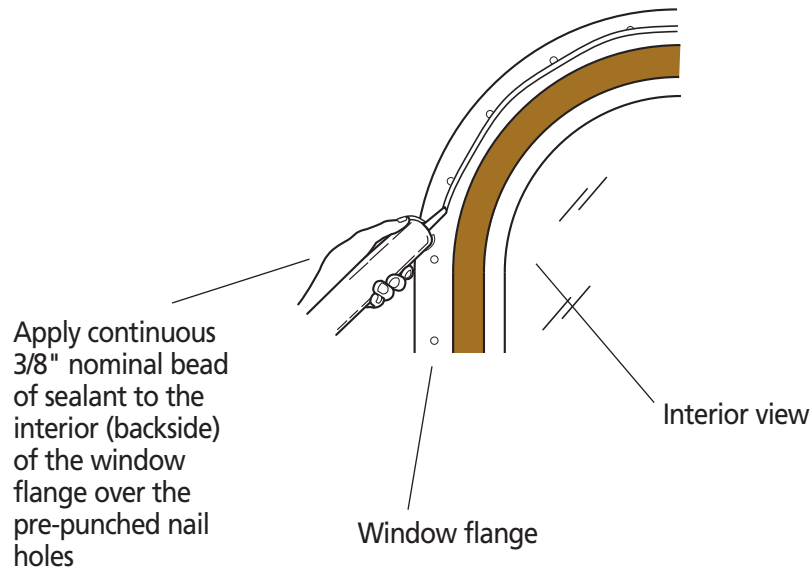
### Apply radius drip cap.

- 4 Slide the drip cap into the accessory groove on the radius. Using 5/8" #6 flathead screws, secure the drip cap to the window
- 3 Drill a hole 1" from the end of the drip cap on each side and at the top of the radius. Additional holes should be drilled so that the distance between screw holes is no more than 16"



## STEP 8

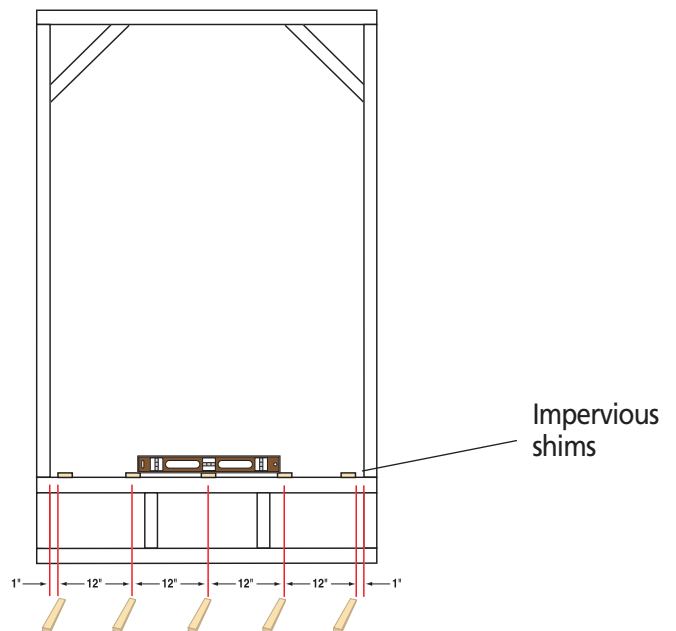
### Apply sealant.



## STEP 9

### Install impervious shims on bottom.

On the bottom of the window opening, place 1" wide shims 1" from each side and every 12" along width of window. Spacers are required on each side of windows that are joined in multiple-window applications.

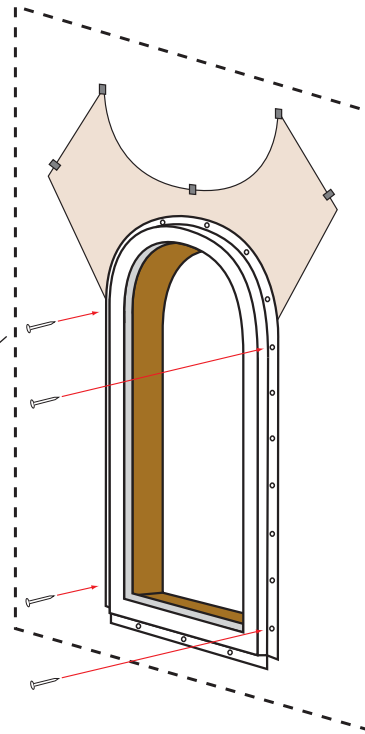


## STEP 10

### Tack window in place.

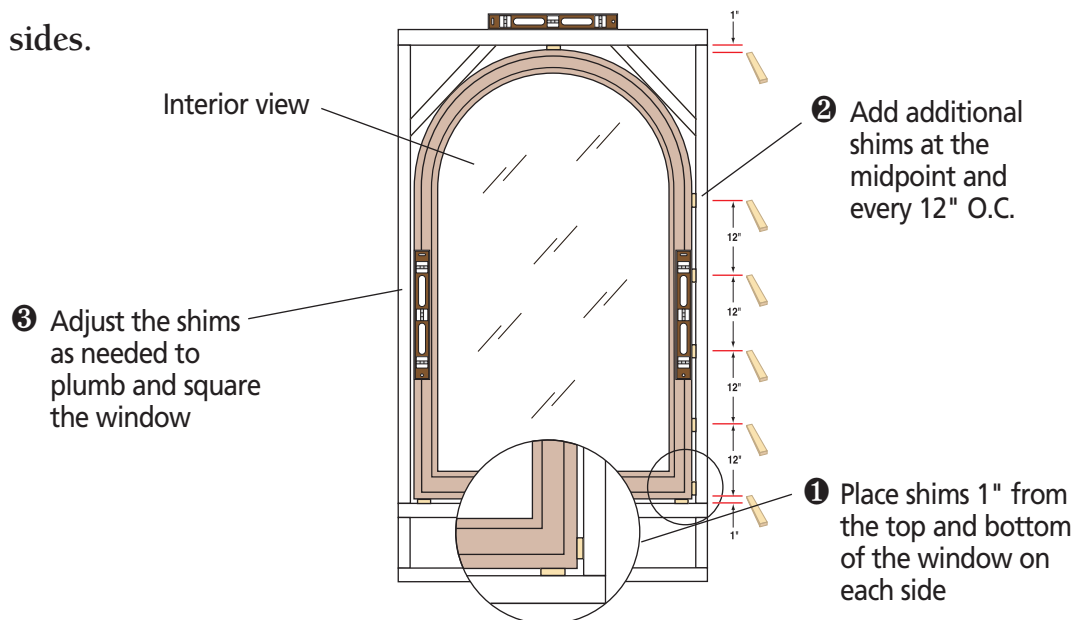
Insert the window from the exterior. Place the bottom of the window on the spacers and tilt the top into position. Center the window between the sides of the opening to allow for shimming.

Insert one galvanized nail into each corner of nail fin to secure window while shimming window plumb, level, square and true



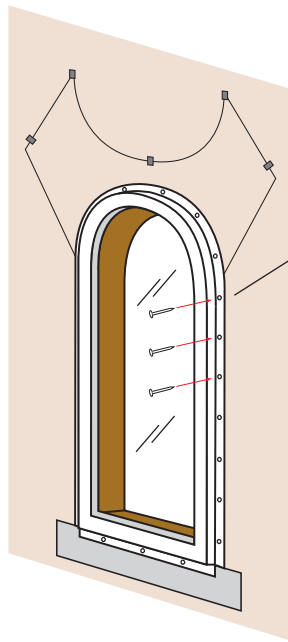
## STEP 11

### Insert shims on both sides.



## STEP 12

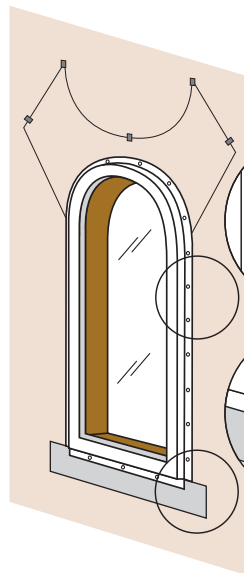
Nail into place.



Fasten the window to the opening by driving a galvanized nail into each pre-punched hole in the nail fin

## STEP 13

Apply sealant.



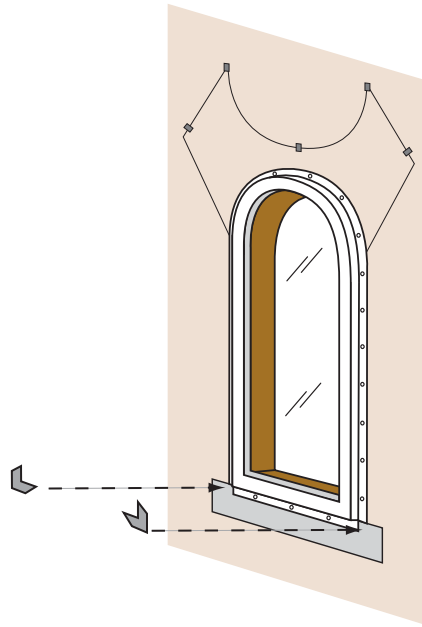
① Apply a 3/8" nominal bead of sealant around the perimeter where the nail fin meets the window frame

② Apply a sizeable amount of sealant in both corners



## STEP 14

Apply corner pad flashing to the bottom corners of nailing fin.

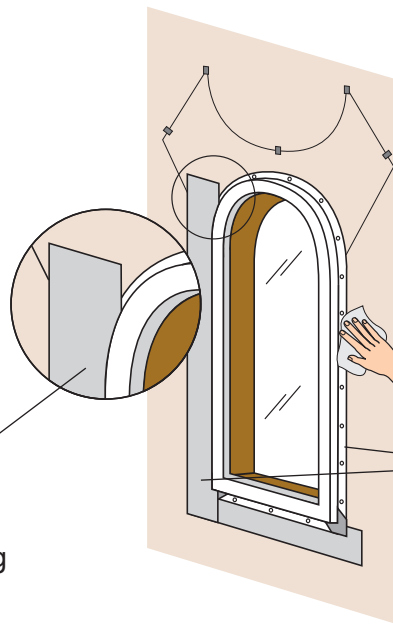


## STEP 15

Cut and install jamb flashing.

How to determine correct length of jamb flashing:

Rough opening height + twice the width of the flashing, less 1/2" for top and 1/2" for bottom. Using 6" flashing, this should be rough opening height plus 11".

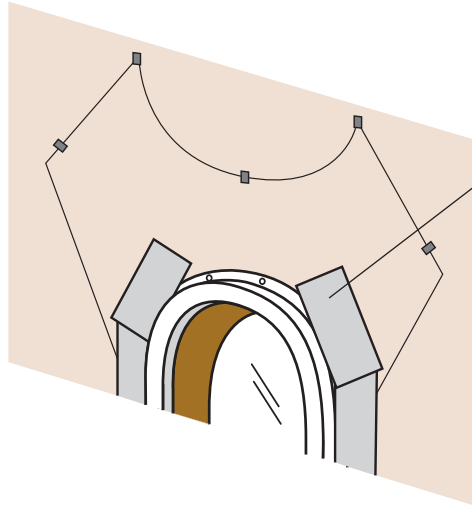


- 1 Wipe the window jamb flange and exterior walls with a clean rag to ensure proper adhesion
- 2 Cut and apply jamb flashing for both sides of window. Correct length is 1/2" short of the top of the window and 1/2" short of the bottom of sill flashing.
- 3 Align the flashing flush against the window frame with the adhesive strip covering the window flange and apply



## STEP 16.1

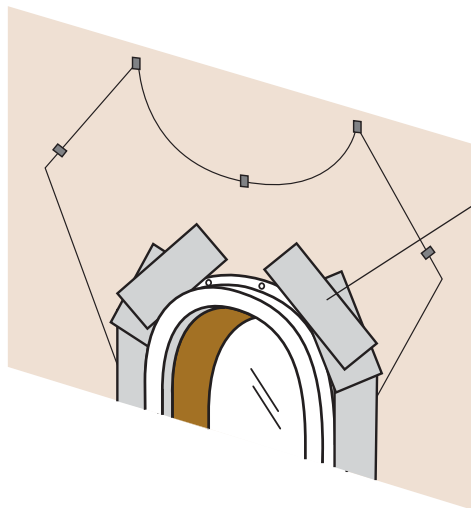
### Cut and install radius flashing. (Part 1)



- 1 Cut a piece of flashing and apply at an angle over the nailing flange, overlapping the jamb flashing. Repeat for other side

## STEP 16.2

### Cut and install radius flashing. (Part 2)

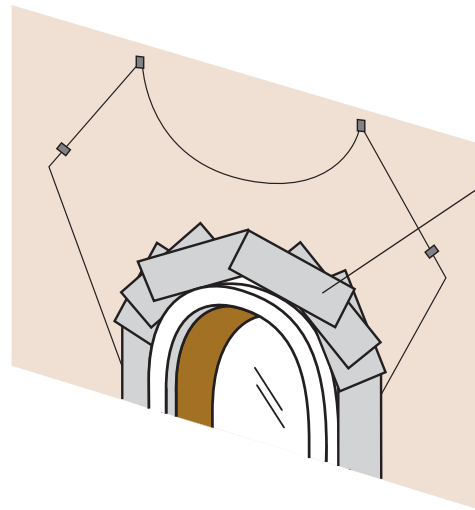


- 2 Cut another piece of flashing and apply at an angle over the previous piece of flashing. Repeat for other side



## STEP 16.3

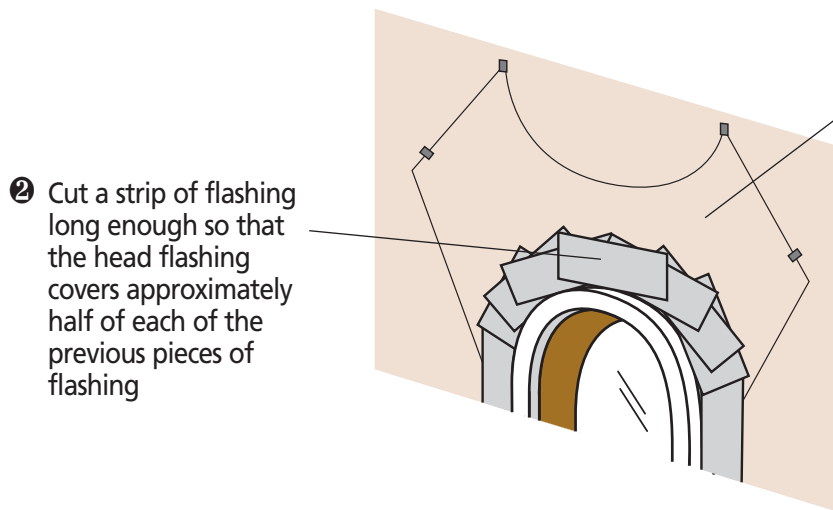
### Cut and install radius flashing. (Part 3)



- 3 Cut and apply additional pieces of flashing at angles until the perimeter of the radius top is covered.

## STEP 17

### Cut and install head flashing.



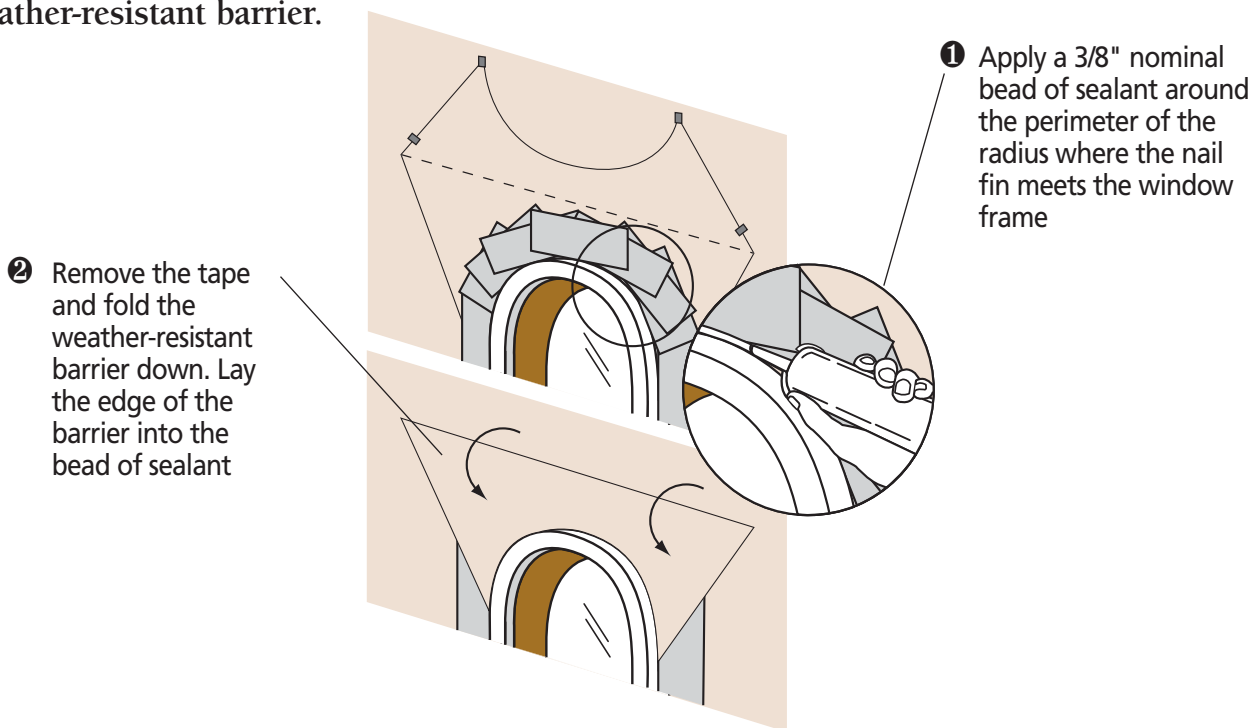
- 2 Cut a strip of flashing long enough so that the head flashing covers approximately half of each of the previous pieces of flashing

- 1 Make sure that the flap of the weather-resistant barrier lays flat over the head flashing



## STEP 18

Apply sealant to perimeter and unfold weather-resistant barrier.

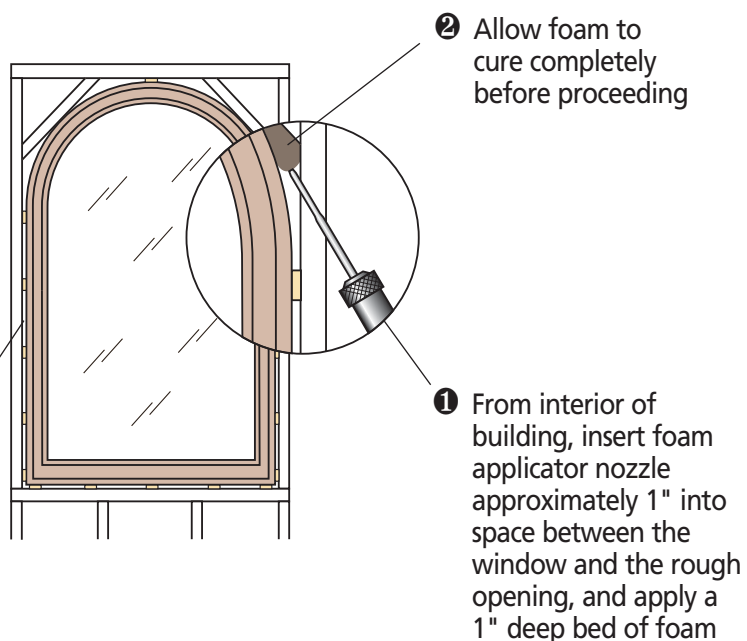


## STEP 19

Apply Great Stuff Pro® Window & Door Insulating Foam Sealant from interior.

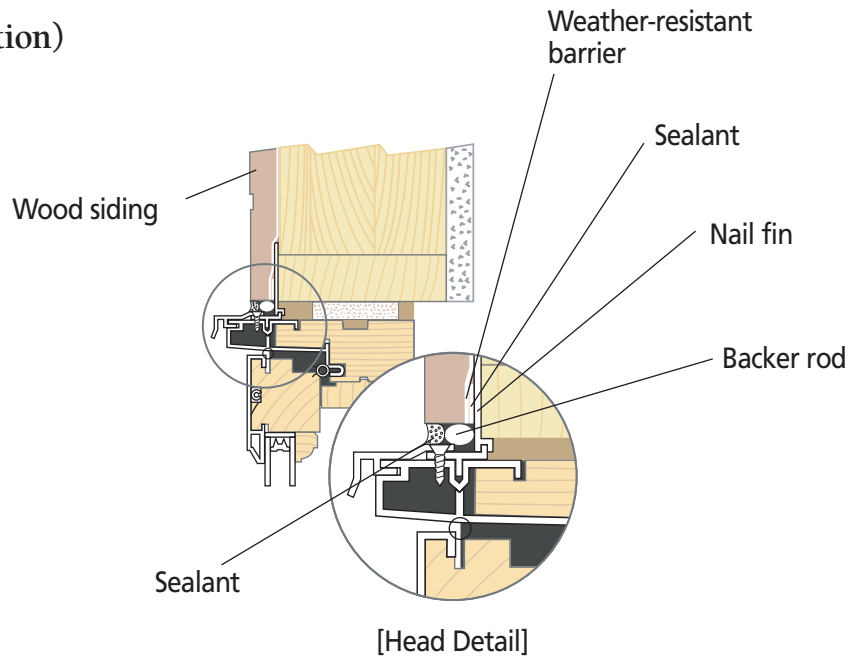
*NOTE: When applying siding or other exterior finish material, leave adequate space between the window frame and exterior finish material. See your sealant supplier for recommendations and instructions for these and other applications.*

**DO NOT** completely fill the space between the nail fin and the interior face of the opening



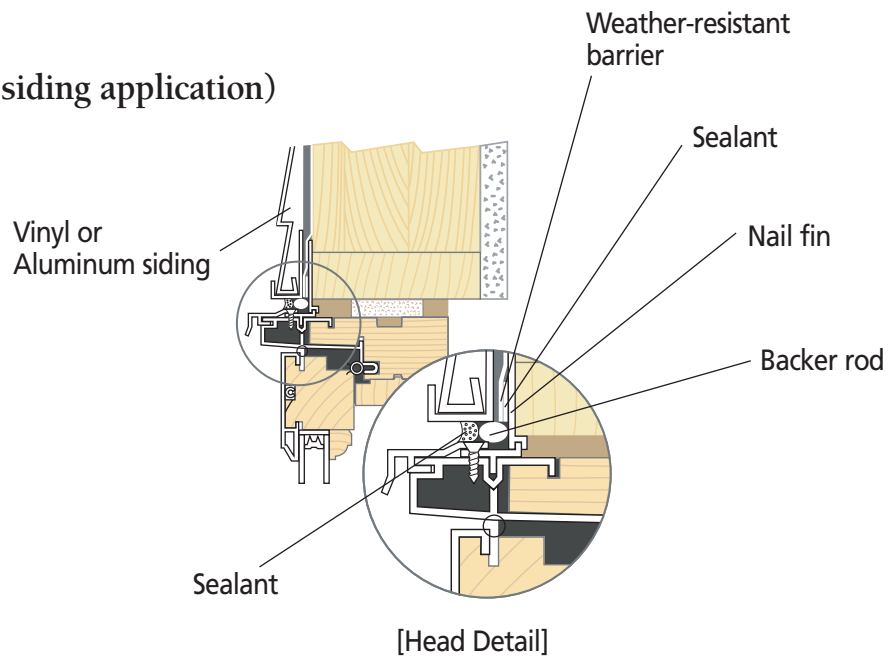
**STEP 20 – OPTION 1**

**Insert backer rod.  
(Wood siding application)**



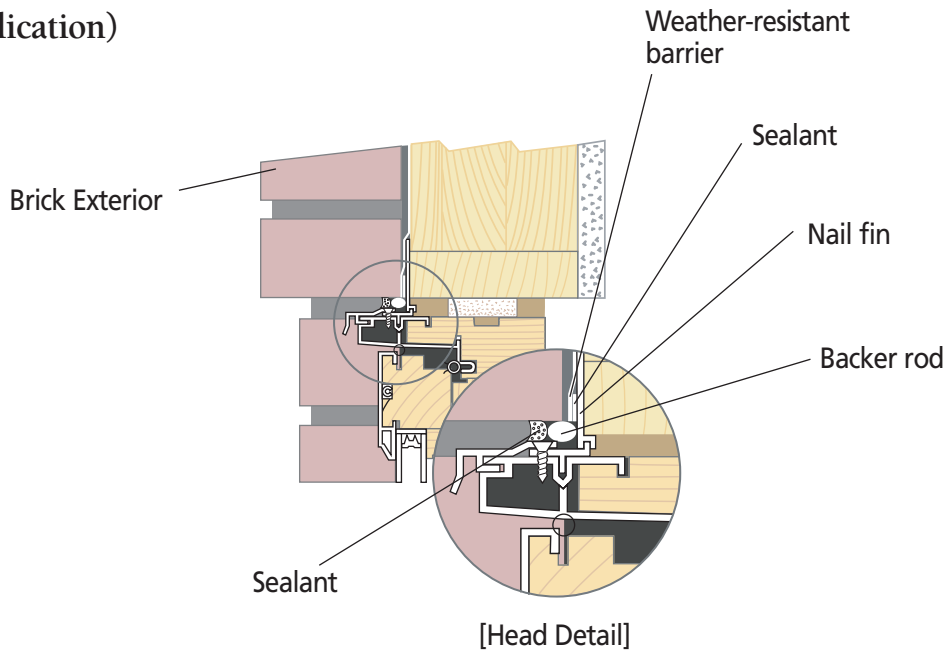
**STEP 20 – OPTION 2**

**Insert backer rod.  
(Vinyl or aluminum siding application)**



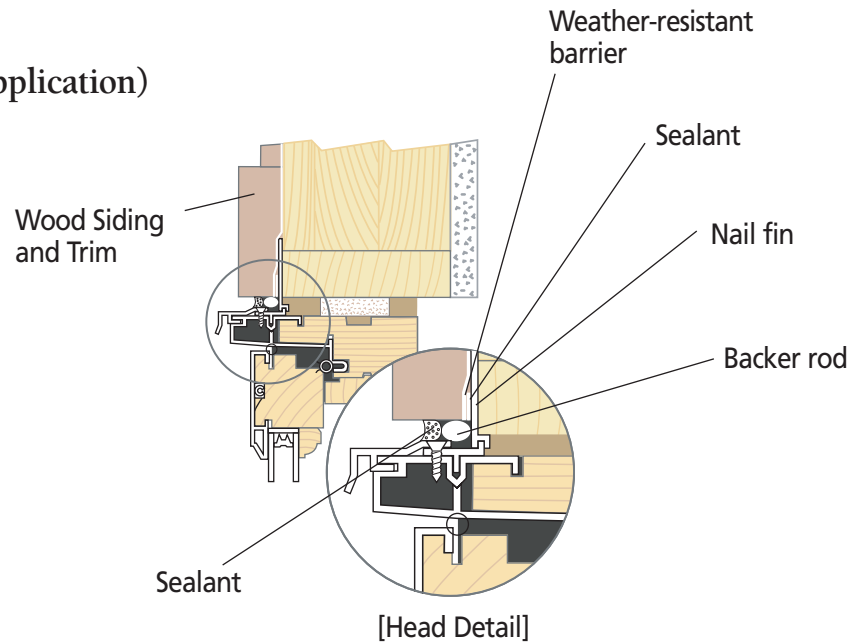
STEP 20 – OPTION 3

Insert backer rod.  
(Brick exterior application)



STEP 20 – OPTION 4

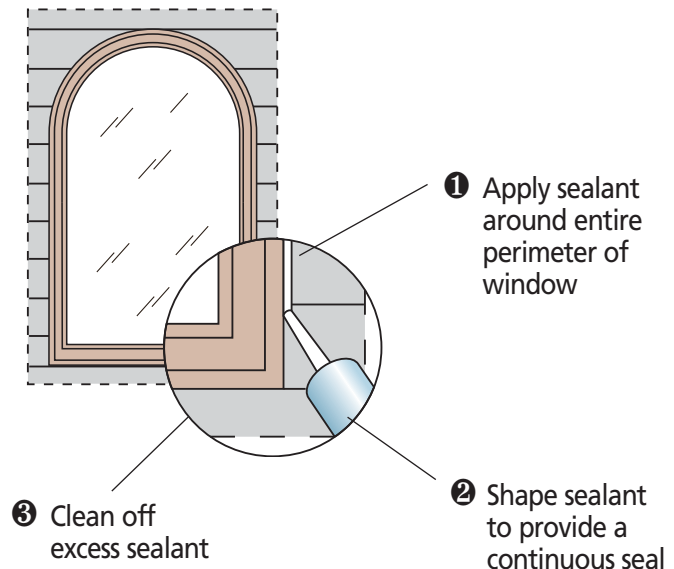
Insert backer rod.  
(Wood siding and trim application)



## STEP 21

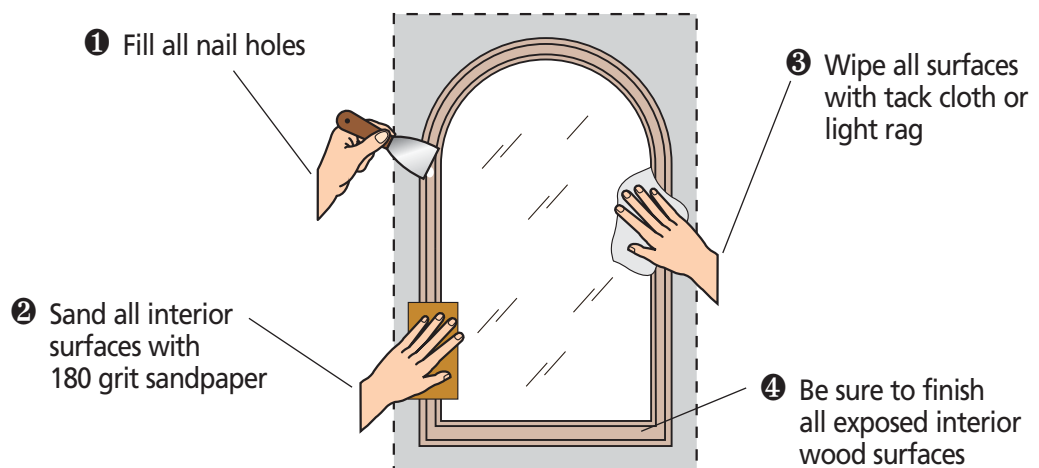
### Apply sealant.

*NOTE: When applying siding or other exterior finish material, leave adequate space between the window frame and exterior finish material. See your sealant supplier for recommendations and instructions for these and other applications.*



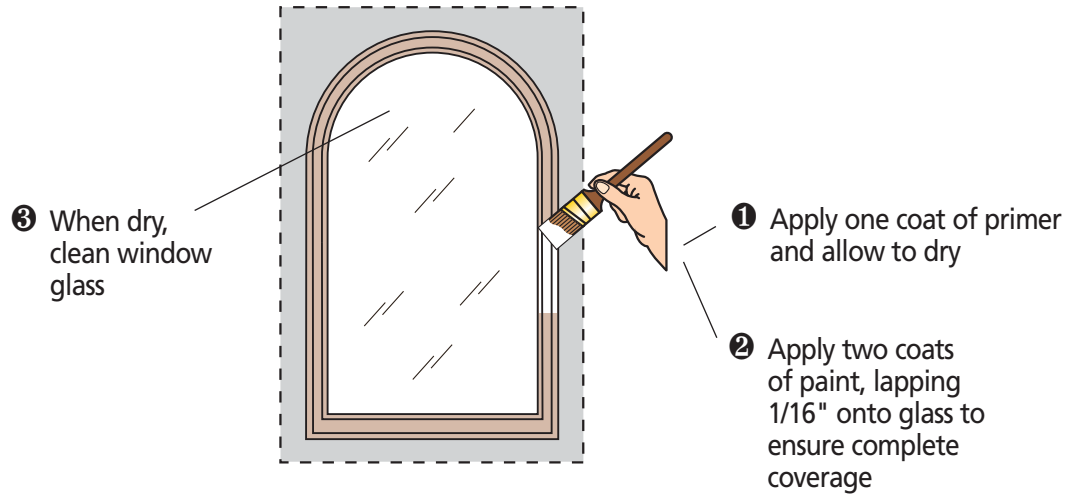
## STEP 22

### Prepare interior wood surfaces for finishing.



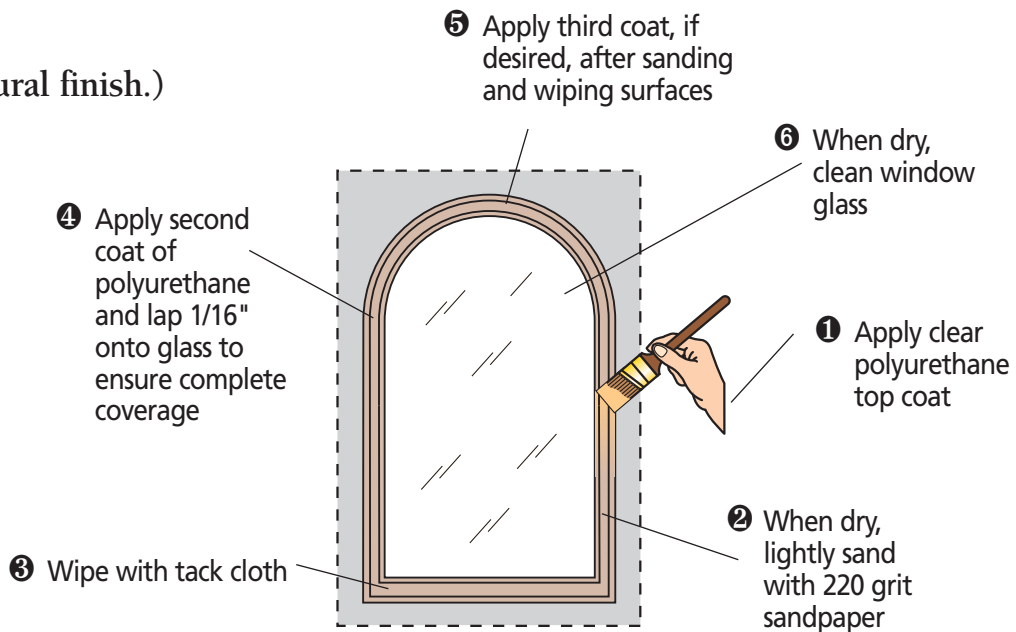
## STEP 23 – OPTION 1

### Finishing. (Applying paint.)



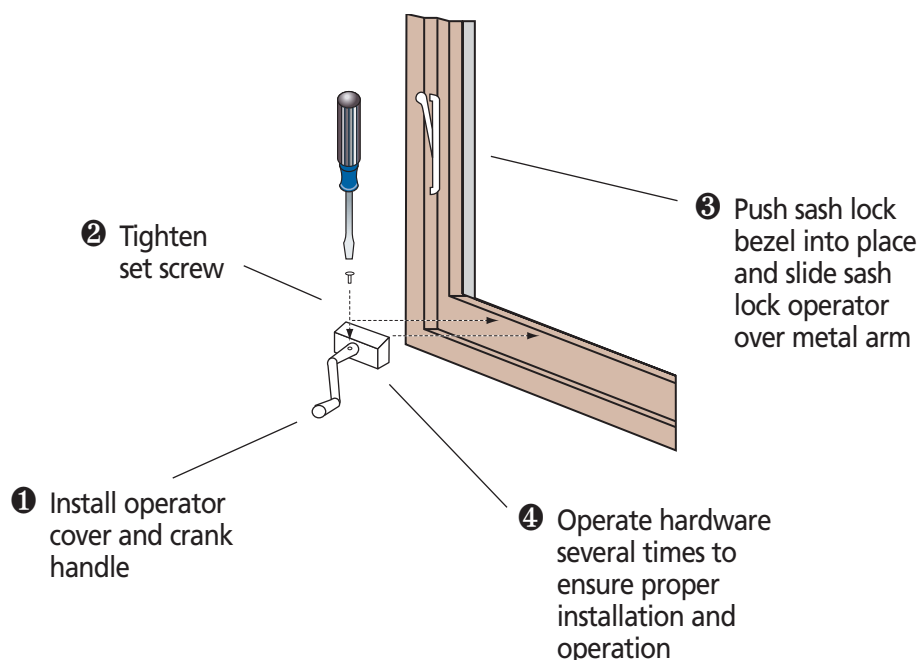
## STEP 23 – OPTION 2

### Finishing. (Applying natural finish.)



## STEP 24

### Install hardware.



## NOTES

### See the Eagle Owner's Manual for care and maintenance information.

Methods and procedures for installation of siding and other cladding materials, trim, moldings and other finish materials around window openings are not specified in these instructions. Such materials should be installed in conformity with the manufacturer's specifications and/or industry standards for such materials. If masonry cladding is used, the soldier course of masonry must be one-half inch away from the bottom of the sill on all windows.

Because all construction must anticipate some water infiltration, it is important that the wall system be designed and constructed to properly manage moisture. Eagle Window & Door is not responsible for claims or damages caused by unanticipated water infiltration, deficiencies in building design, construction and maintenance, failure to install Eagle products in accordance with these instructions, or the use of Eagle products in systems which do not allow for proper management of moisture within the wall system. The determination of the suitability of all building components, including the use of Eagle products, as well as the design and installation of flashing and sealing systems, are the responsibility of you, your architect, or a construction professional. Moisture problems, including unacceptable water infiltration, have been associated with barrier systems such as EIFS (also known as synthetic stucco). Eagle products should not be used in barrier EIFS systems unless Eagle's current, recommended installation procedures for installation of windows and doors into EIFS are used. Any other use of Eagle products with barrier EIFS systems will void the warranty.

Contact your sealant supplier to choose a sealant that is compatible with, and that will adhere adequately to, all building materials used in the window area. Important: Perimeter sealant must be Grade NS Class 24 per ASTM C920 and compatible with the window/door product, nail fin and the finished exterior of the building. Use of improper sealant could result in sealant failure, resulting in air and water infiltration.

Eagle makes no warranty, expressed or implied, that the methods and procedures described in these instructions are suitable for any particular purpose or installation. These instructions do not add to or modify the terms, conditions or limitations of Eagle's manufacturer's warranty.

A drip cap is required on all windows and doors. Failure to utilize and incorporate a drip cap could void the Eagle Window & Door warranty. Refer to the Eagle warranty for additional information.

These installation procedures have been tested by an independent laboratory under ideal installation conditions using the ANSI/AAMA/NWDA 101/I.S. 2-97 test method for installation, and meet DP50 performance levels for installation only.

Note: E-Z Seal is a registered trademark of Fortifiber Corporation.

