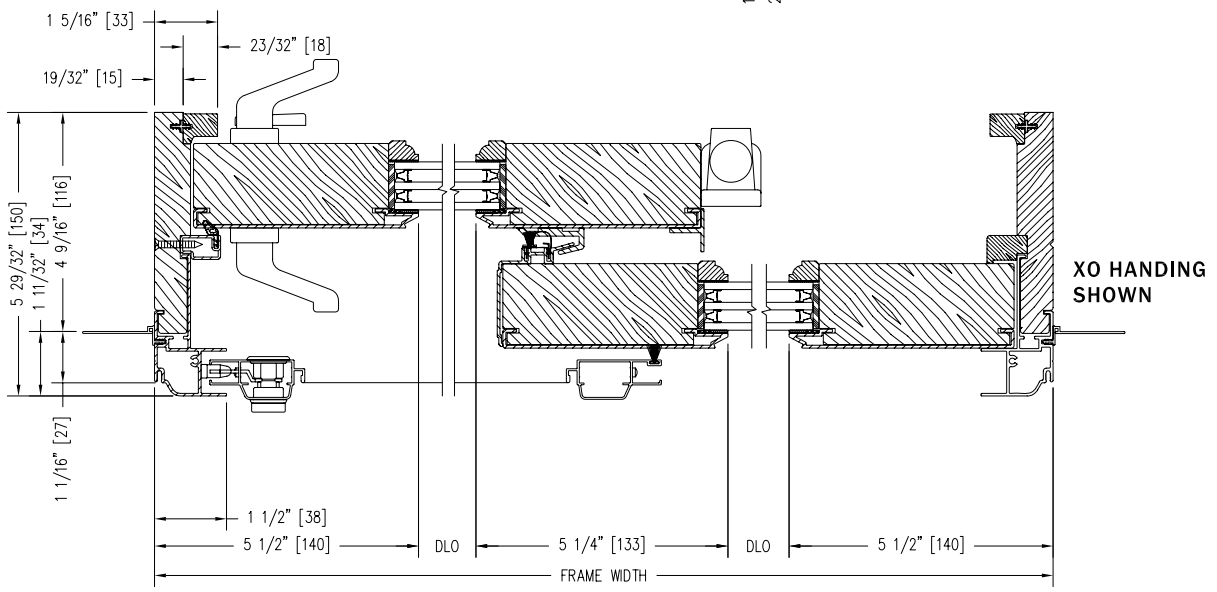
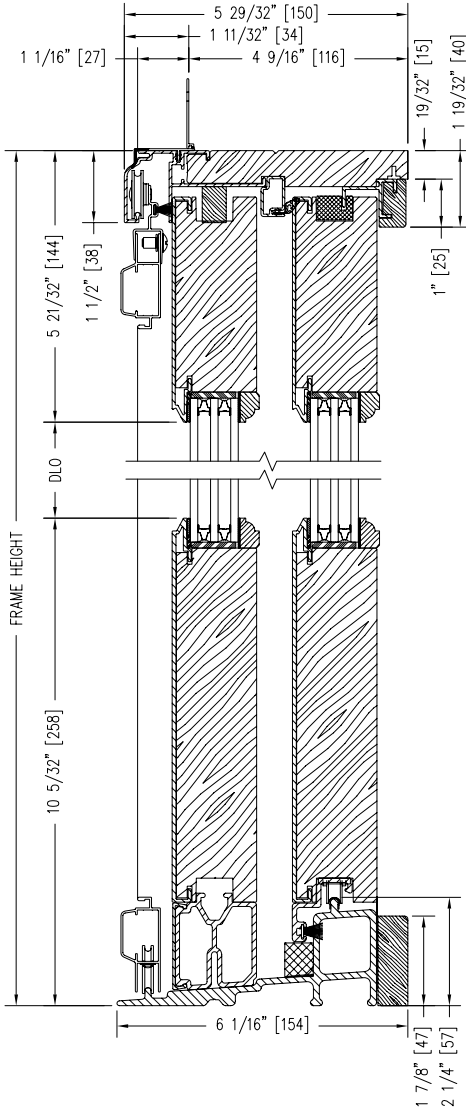


**TRIPLE INSULATED GLASS
SLIDING FRENCH DOOR
SHOWN WITH SP1 PANEL**



Notes:

Dynamically configure section details to your specific needs by going to EagleWindow.com, select Wintelligence. Eagle Window & Door reserves the right to change the specifications without notice.

DRAWING # AD3194
SCALE: 3"=1'-0"
REVISION: 4/14/09

