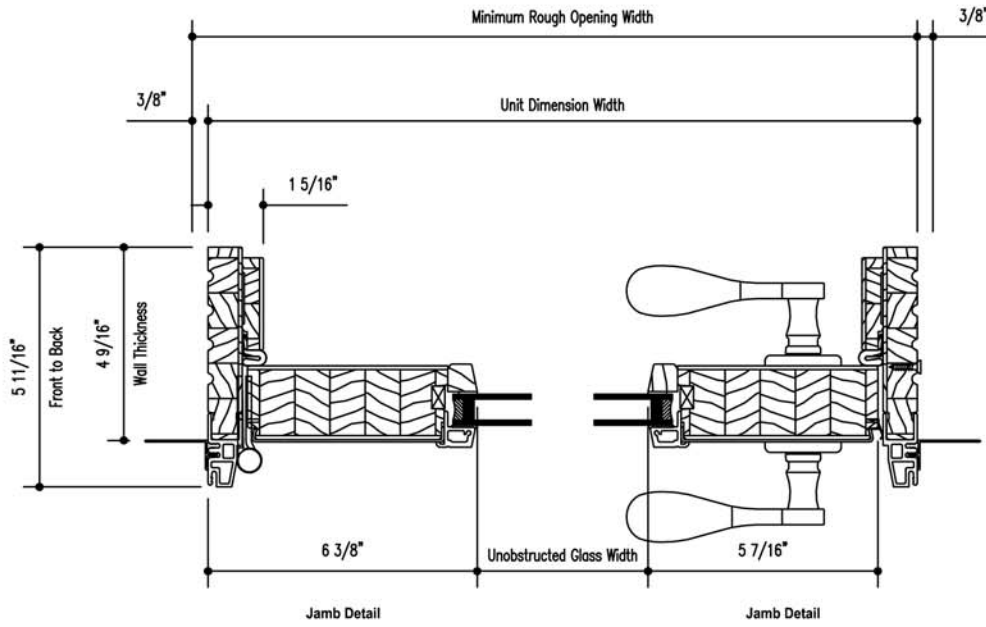
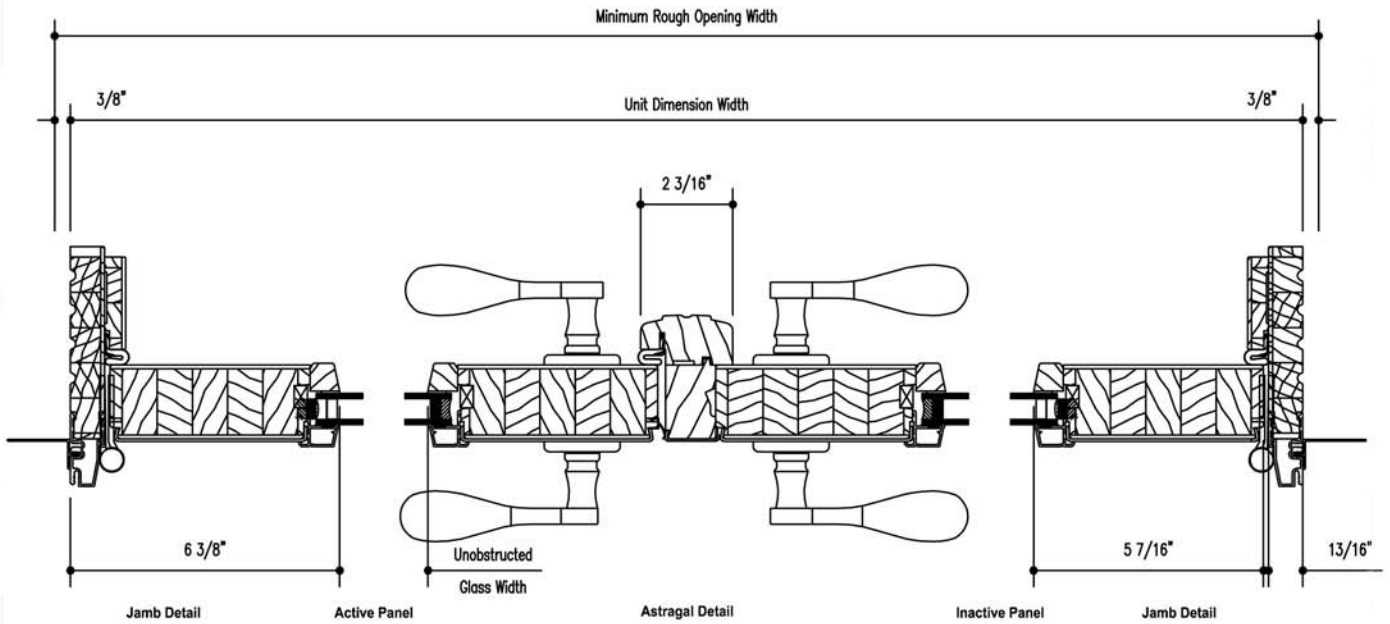


**NOTES**

Drawings are not to scale.



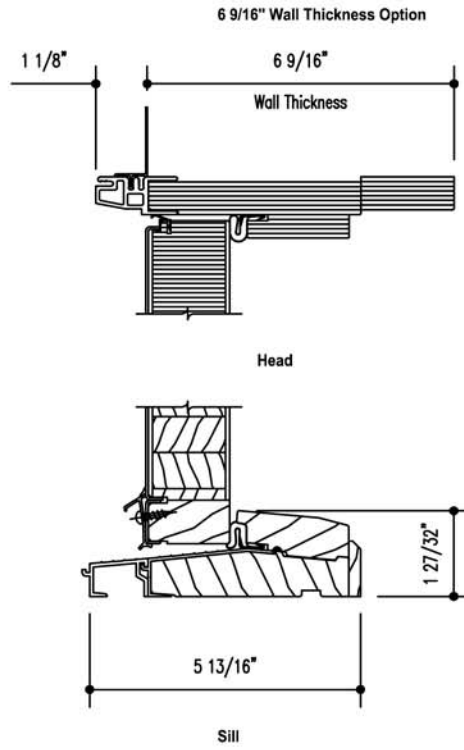
**Horizontal Section**  
Single Panel



**Horizontal Section**  
Two Panel

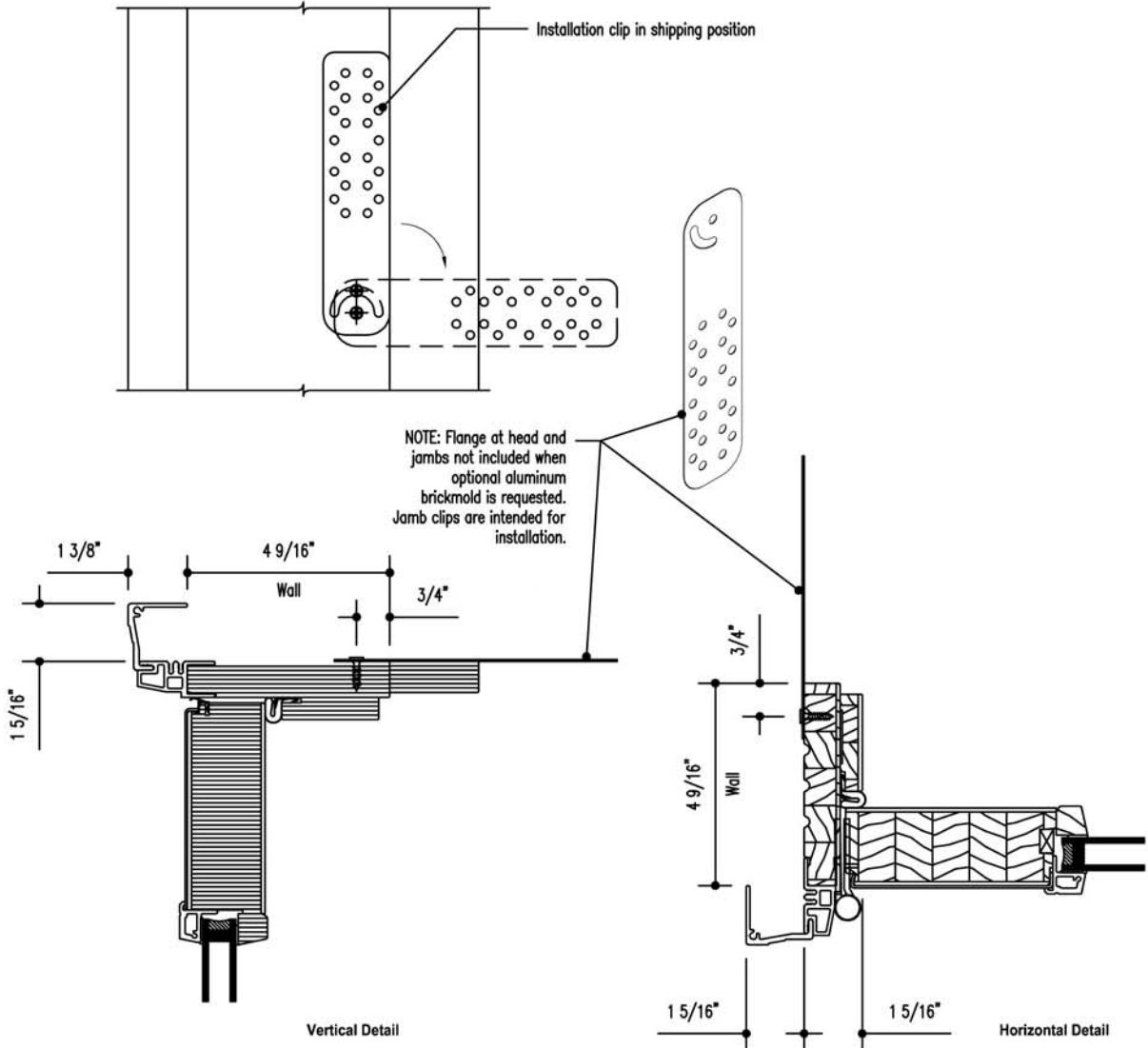
**NOTES**

Drawings are not to scale.



**NOTES**

Drawings are not to scale.



**NOTES**

Drawings are not to scale.